

DONJOY looking forward to your visit! Your telecommunications!



**东正科技有限公司**  
DONJOY TECHNOLOGY CO.,LTD.

地址: 温州空港新区港富路25号  
总机: 0577-86990888  
传真: 0577-86998000

Add: No.25 Gang fu Road, konggang  
new District, Longwan Wenzhou, China  
Tel: +86-577-86990888  
Fax: +86-577-86998000  
E-mail: donjoy@cndonjoy.com

[www.cndonjoy.com](http://www.cndonjoy.com)

法律声明:  
目录样册版权归东正所有, 如有抄袭, 必将追究其法律责任和经济赔偿。  
东正已获得国家版权局书刊号。东正诸多产品技术, 都具有专利保护, 如有抄袭,  
必将追究法律责任和经济赔偿。

Legal statement:  
Copyright of the catalogue belongs to Donjoy. If there is plagiarism,  
it will be investigated for legal responsibility and economic compensation.  
Donjoy has been granted publications number by China's National Copyright.  
Donjoy products and technology with patent protection,  
If there is plagiarism, it will be investigated for legal responsibility  
and economic compensation.

# Single seat valve

04 / 换向阀 智能制造



国家高新技术企业 专精特新企业

# Advantages



30 YEARS

30年的阀门研发与制造  
More than 30 years valve and pump R&d and Manufacturing

23 YEARS

23年的高洁净泵研发与制造  
More than 23 years high purity pump R&d and Manufacturing

18 YEARS

18年的阀门控制器研发与制造  
More than 18 years valve controller R&d and Manufacturing

15 YEARS

15年的清洗技术研发与制造  
More than 15 years Cleaning technology R&d and Manufacturing

300

300多人的专业团队  
A profession team of over 300 people

200

200多项知识产权  
More than 200 intellectual property rights

30

30多项国际权威认证  
More than 30 international authoritative certifications

20

20多项国家与省级荣誉  
More than 20 national and provincial honors certificates

超过10年研发经验  
工程师队伍  
We have more than 10 years experienced engineer team in R & D.

日本Mazak  
CNC复合型加工中心  
CNC切削中心  
CNC车床  
Japan Mazak  
CNC compound machining center  
CNC cutting center  
CNC lathe

发那科《Fanuc》  
全自动机器人生产线  
《Fanuc》 Automatic robot  
production line

高新技术企业、  
省著名商标、  
主任质量奖、4项发明、  
200余项专利  
New high-tech enterprise.  
Provincial famous trademark.  
Director's Quality Award.4 inventions  
More than 200 patents

欧盟CE  
美国3-A, FDA  
中国特种制造许可证 TS  
防爆认证ATEX CNEX  
European Union CE certificate  
USA 3-A, FDA  
China Special Manufacturing  
License TS  
ATEX CNEX

我们能为你提供  
定制化技术服务和制造,  
OEM ODM  
We can provide  
you OEM & ODM service

领先的检测手段,  
30多台专业检测设备和  
50多种检测方法, 确保  
每个产品性能和精度  
Advanced detection method.  
More than 30 pcs professional  
testing equipment. More than  
50 inspection ways, insure product  
performance and accuracy

30 YEARS

30年洁净领域的专注  
30 years of focus in the field of cleanliness

30 YEARS

30年工程应用经验与市场考验  
30 years of engineering application experience and market test

三十而立正蕴含着新的力量，  
未来我们将一如既往的致力于技术革新！  
We Donjoy have established for 30 years, still full of  
new energy, in the future we will stick to concentrate on  
technology innovation

# Introduction

东正创立于1993年，占地面积29000m<sup>2</sup>，注册资本1.0558亿元，员工300余人，技术团队30余人，200余项知识产权，国际权威认证30余项，国家与省级荣誉证书20余项，且拥有国际领先的加工技术和制造设备，如Mazak CNC四轴、五轴加工中心、复合型切削中心、FANUC机器人生产线以及各种国际领先的检测设备。

东正制造的产品远销全球并获得国内外用户高度好评，我们产品和技术涵盖高洁净泵、阀门控制技术、PID自控阀门、高洁净阀门、容器管道安全控制技术、容器清洗技术、容器管道照明技术、过滤技术以及高洁净管道和配件等。广泛应用于生物制药、食品饮料、酿酒、精细化工、日化洗涤、纺织印染、电池和新能源等工业领域。

Donjoy is founded in 1993, covers an area of 29,000 square meters, registered capital of 105.58 million yuan, we have more than 300 employees, we have more than 30 persons technical team, we have more than 200 intellectual property rights, we have more than 30 authoritative international certification, we have more than 20 national and provincial certifications, and has an international leader of first processing technology and manufacturing equipment, such as Mazak CNC four axis, five axis machining center, compound cutting center, FANUC robot production line and various international collar first detection equipment, etc.

The products manufactured by Donjoy are sold all over the world and are highly praised by domestic and overseas Products and technology cover high purity pump, valve control technology, PID automatic control valve, high purity valve, container pipeline safety control technology, container cleaning technology, container pipe road lighting technology, filtration technology and high purity pipes and accessories. Widely used in the biopharmaceuticals, food and beverage, wine, fine chemicals, daily chemical washing, textile printing and dyeing, battery and new energy and other industrial fields.

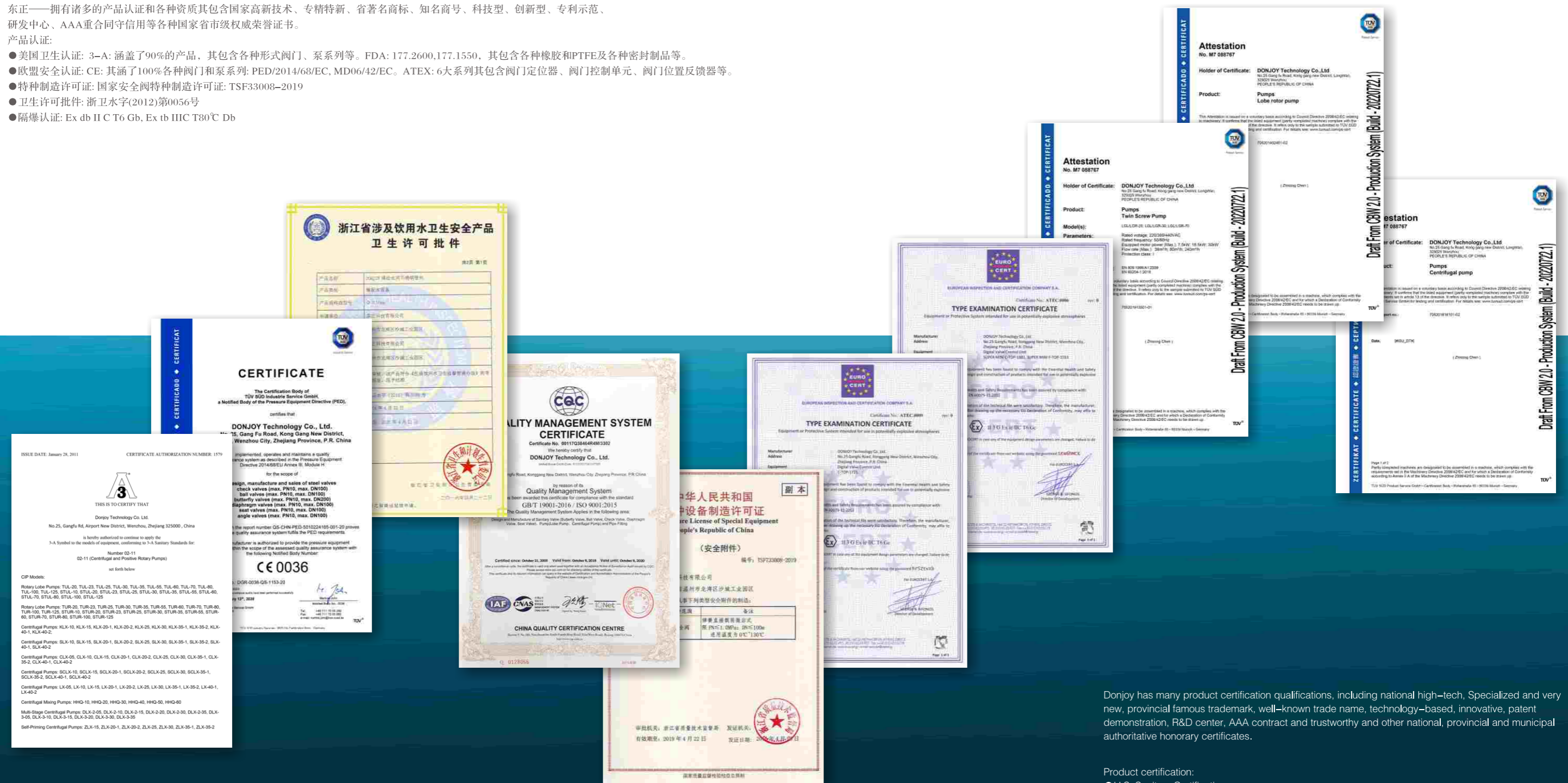


# Certification

东正——拥有诸多的产品认证和各种资质其包含国家高新技术、专精特新、省著名商标、知名商号、科技型、创新型、专利示范、研发中心、AAA重合同守信用等各种国家省市级权威荣誉证书。

产品认证:

- 美国卫生认证: 3-A: 涵盖了90%的产品, 其包含各种形式阀门、泵系列等。FDA: 177.2600, 177.1550, 其包含各种橡胶和PTFE及各种密封制品等。
- 欧盟安全认证: CE: 其涵盖了100%各种阀门和泵系列: PED/2014/68/EC, MD06/42/EC。ATEX: 6大系列其包含阀门定位器、阀门控制单元、阀门位置反馈器等。
- 特种制造许可证: 国家安全阀特种制造许可证: TSF33008-2019
- 卫生许可批件: 浙卫水字(2012)第0056号
- 防爆认证: Ex db IIC T6 Gb, Ex tb IIIC T80°C Db



Donjoy has many product certification qualifications, including national high-tech, Specialized and very new, provincial famous trademark, well-known trade name, technology-based, innovative, patent demonstration, R&D center, AAA contract and trustworthy and other national, provincial and municipal authoritative honorary certificates.

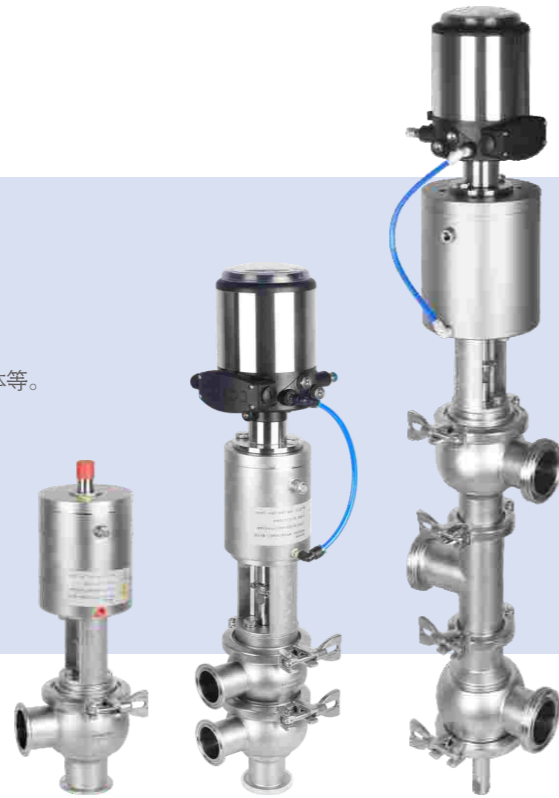
- Product certification:
- U.S. Sanitary Certification
    - 3-A: Covers 90% of products, including all kinds of valves, pump, etc.
    - FDA: 177.2600, 177.1550, containing various rubber, PTFE and other sealing products.
  - EU safety certification
    - CE: covers all kinds of valves and pumps: PED/2014/68/EC, MD06/42/EC.
    - ATEX: 6 major series, including valve positioner, valve control unit, valve position feedback device, etc.
  - Special manufacturing license: National safety valve special manufacturing license: TSF33008-2019
  - Sanitation license approval document: Zhewei Shuizi (2012) No. 0056
  - Flameproof certification: Ex db IIC T6 Gb, Ex tb IIIC T80°C Db

# 截止换向阀 Single seat valve

## HX type

截止换向阀具有非常灵活的阀体组合和各种功能配置，如无菌式、杀菌、隔膜式、阀位可调式、夹套保温、阻尼缓冲式、双头阀体等。也可安装各种自控如阀门定位器、控制单元、反馈器、位置传感器等。

Single seat valve has very flexible valve body combination and various functional configurations, such as aseptic, sterilization, diaphragm type, adjustable valve position, jacket insulation, damping buffer, double seat etc. Also can install with automatic positioner, control head, feedback device, position sensor etc.



### 应用

- 该换向阀是一种卫生级单座气动操作阀门，在食品加工工业，饮料生产制药和精细化工工业中有着广泛的应用。

### 操作原理

- 该座阀由单作用或双作用的气动执行器自动操作。压缩空气推动轴来定位阀门开或关的位置
- 单作用执行器的气缸180度的旋转，实现了阀门的常开和常闭型

### 技术特点

- 规格：1/2"–6", DN10–DN150
- 材质：316L/1.4404, ASME BPE 316L 1.4435 NB2 Fe≤0.5%
- 压力：真空~10bar(1.0Mpa)
- 温度：-20°C 到 +150°C, 取决密封于材质
- 密封：EPDM FKM HNBR PTFE
- 连接标准：DIN SMS ISO IDF RJT BS4825 ASME BPE 3A DIN11864 DIN11853
- 连接方式：螺纹、卡箍、焊接、法兰
- 驱动方式：手动、气动、电动
- 粗糙度：Ra≤0.6 μm; MP=Ra≤0.3 μm; EP=Ra≤0.3 μm
- 认证：FDA 177.2600; 3A-53-07; Glass II USP Glass VI Chapter 88; GB4806.11; EG VO/1935-2004; PED/97/23/EC;

### Applications

- The divert seat valve is applied to the food-processing industry, beverage, pharmaceutical and fine chemicals industries.

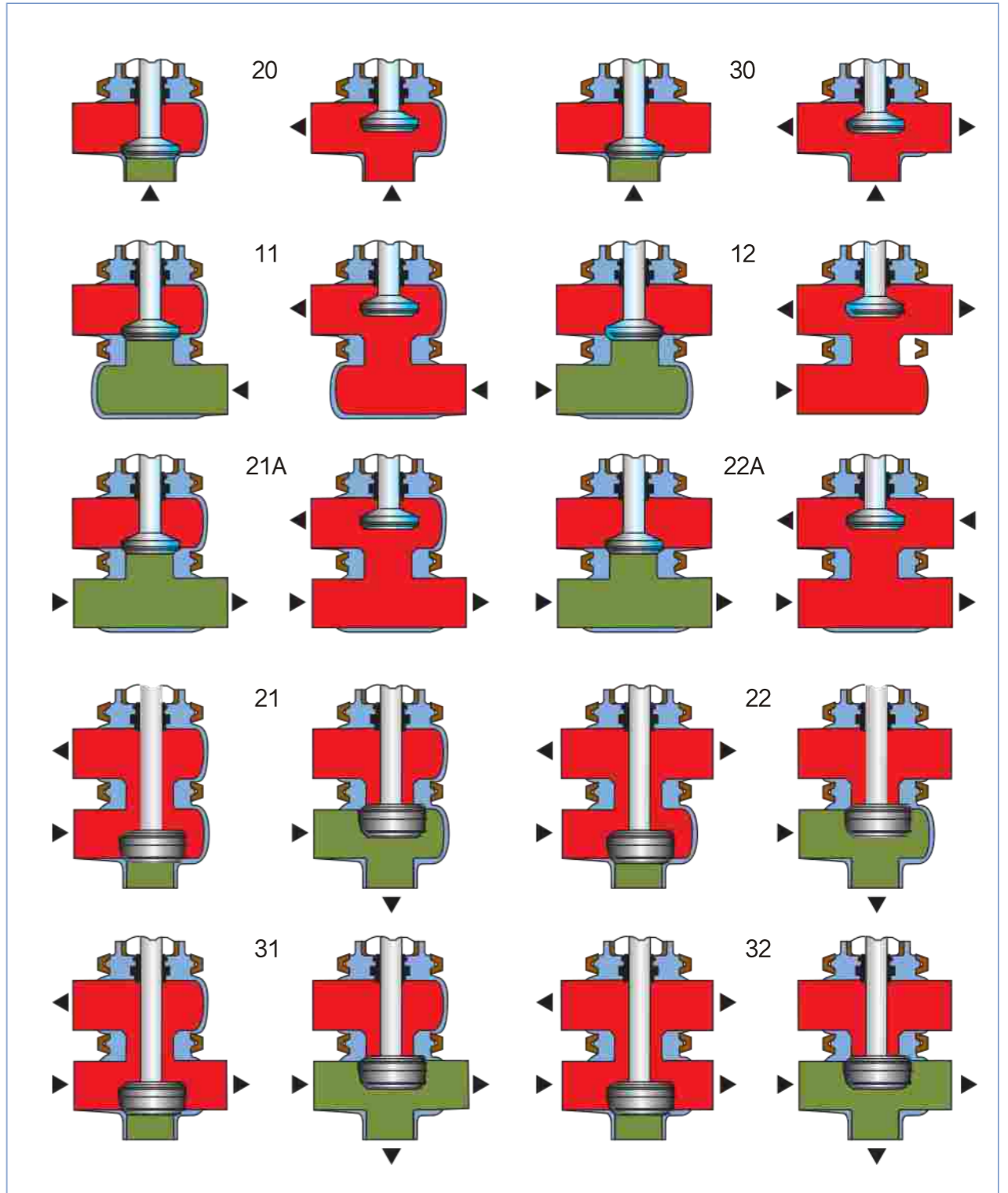
### Operating principles

- Seat valves are operated automatically by a single-acting or a double-acting pneumatic actuator. By supplying compressed air, the shaft is moved to place the valve in the "open" or "closed" position.
- The 180o rotation of the pneumatic cylinder to realize the interchange of normally open and normally closed.

### Technical Features

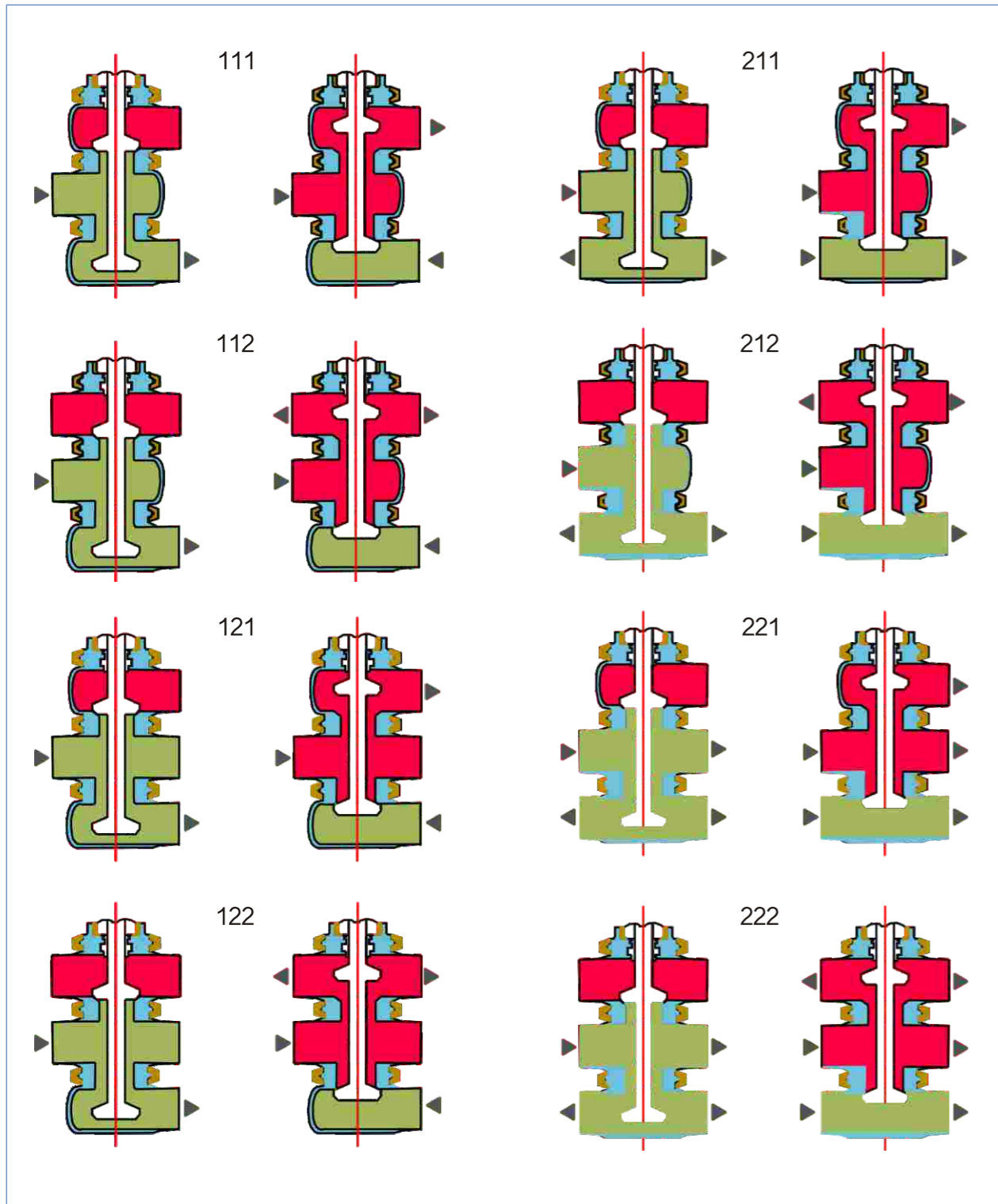
- Size: 1/2"–6", DN10–DN150
- Material: 316L/1.4404, ASME BPE 316L 1.4435 NB2 Fe≤0.5%
- Pressure: vacuum to 10bar (1.0Mpa)
- Temperature: -20°C to +150°C, Depending on the seal material
- Seal: EPDM FKM HNBR PTFE
- Connection standard: DIN SMS ISO IDF RJT BS4825 ASME BPE 3A DIN11864 DIN11853
- Connection way: threaded, clamp, welding, flange
- Drive mode: manual, pneumatic, electric
- Roughness: Ra≤0.6 μm; MP=Ra≤0.3 μm; EP=Ra≤0.3 μm
- Certification: FDA 177.2600; 3A-53-07; Glass II USP Glass VI Chapter 88; GB4806.11; EG VO/1935-2004; PED/97/23/EC;

## 非常灵活的阀体组合和连接方式 Very Flexible Valve Body Combination And Connection Type



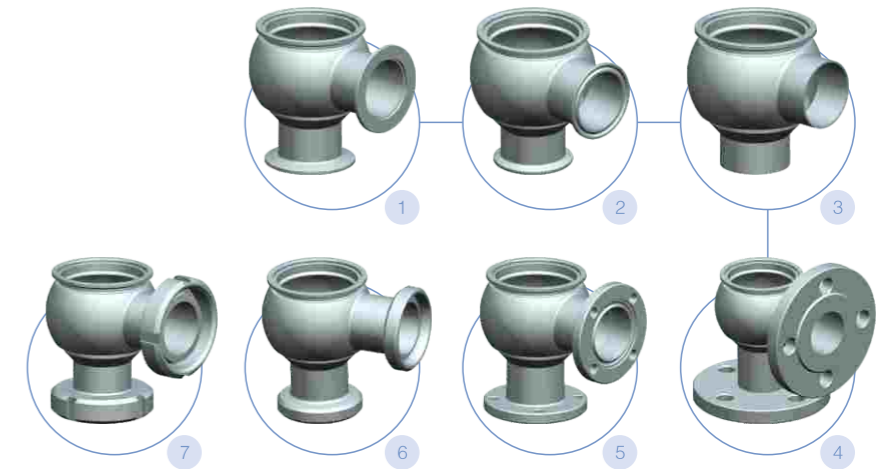
# 截止换向阀 Single seat valve

## 非常灵活的阀体组合和连接方式 Very Flexible Valve Body Combination And Connection Type



## 不同连接方式 Different Connection End

- |        |                   |
|--------|-------------------|
| 1、真空卡箍 | 1. Vacuum clamp   |
| 2、卡箍   | 2. Clamp          |
| 3、焊接   | 3. Welding        |
| 4、法兰   | 4. Flange         |
| 5、无菌法兰 | 5. Aseptic flange |
| 6、螺纹   | 6. Thread         |
| 7、螺母   | 7. Nut            |

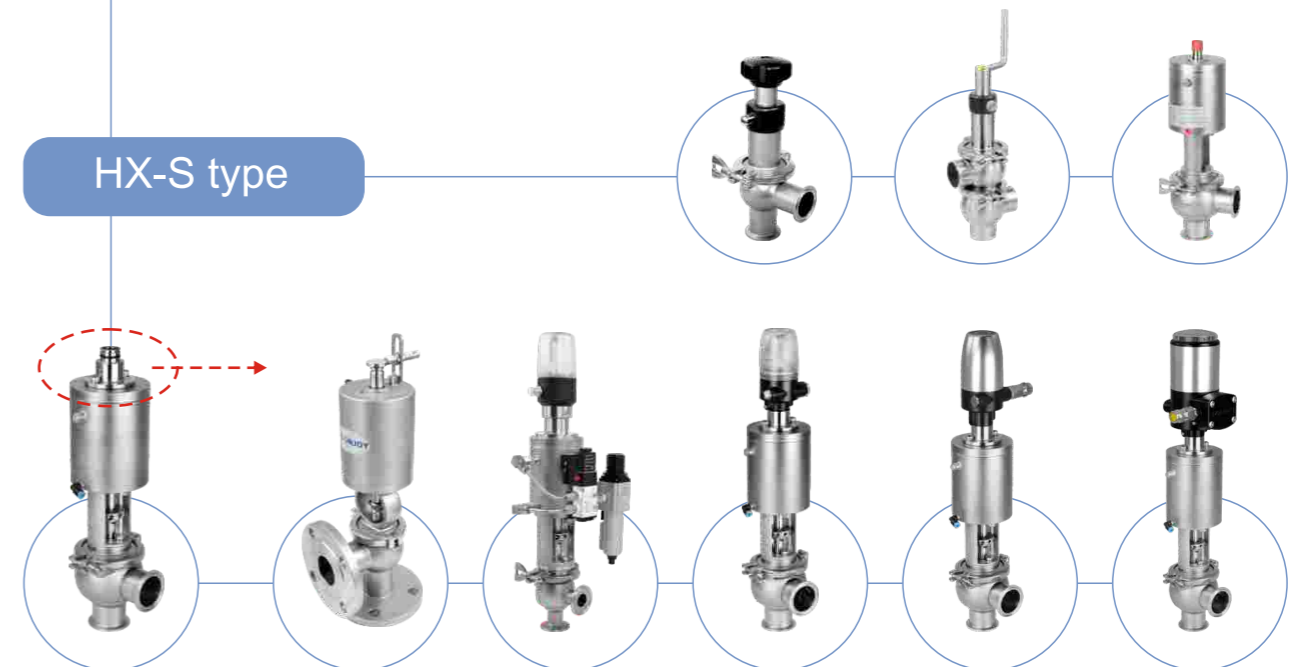


### 推荐型截止换向阀 Recommended single seat valve

阀体连接采用卡箍式，常闭和常开180° 掉头实现，阀门承压≤10bar，规格 1/2"-4"，DN10-DN100，可配置各种控制器。

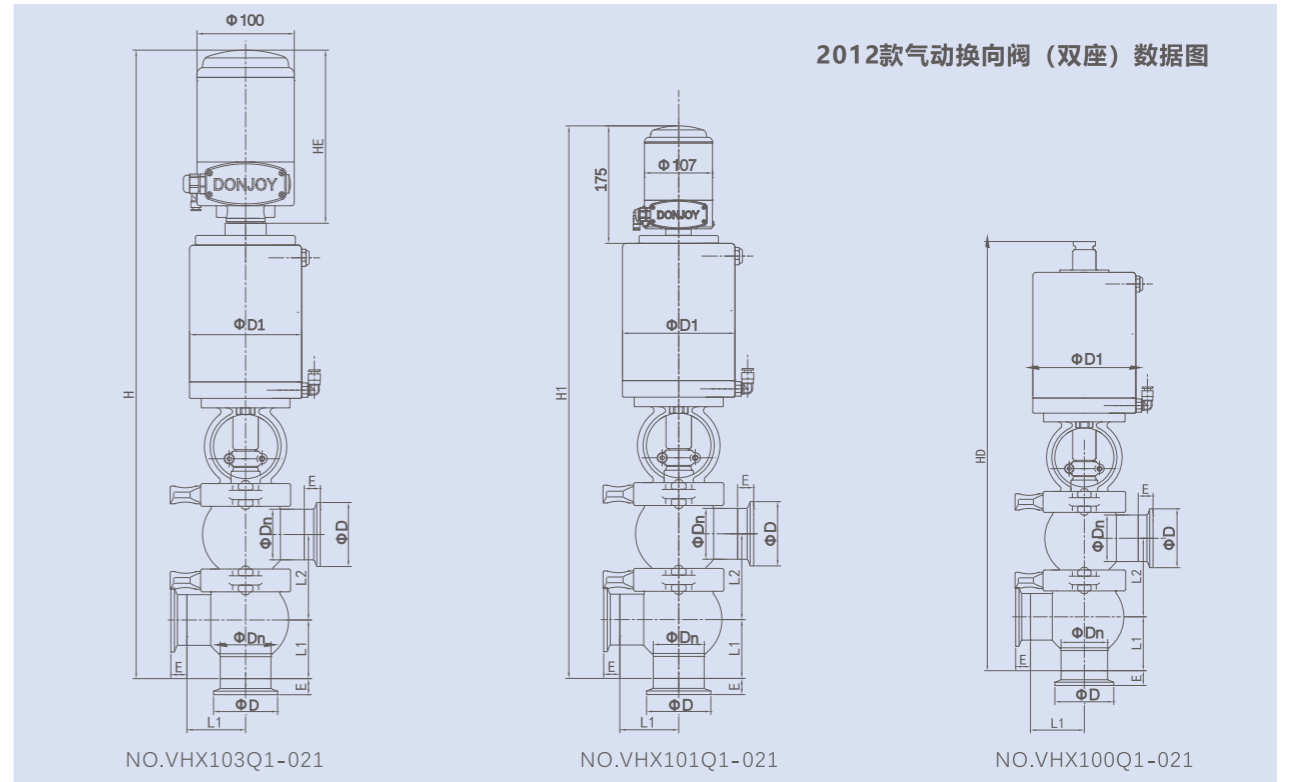
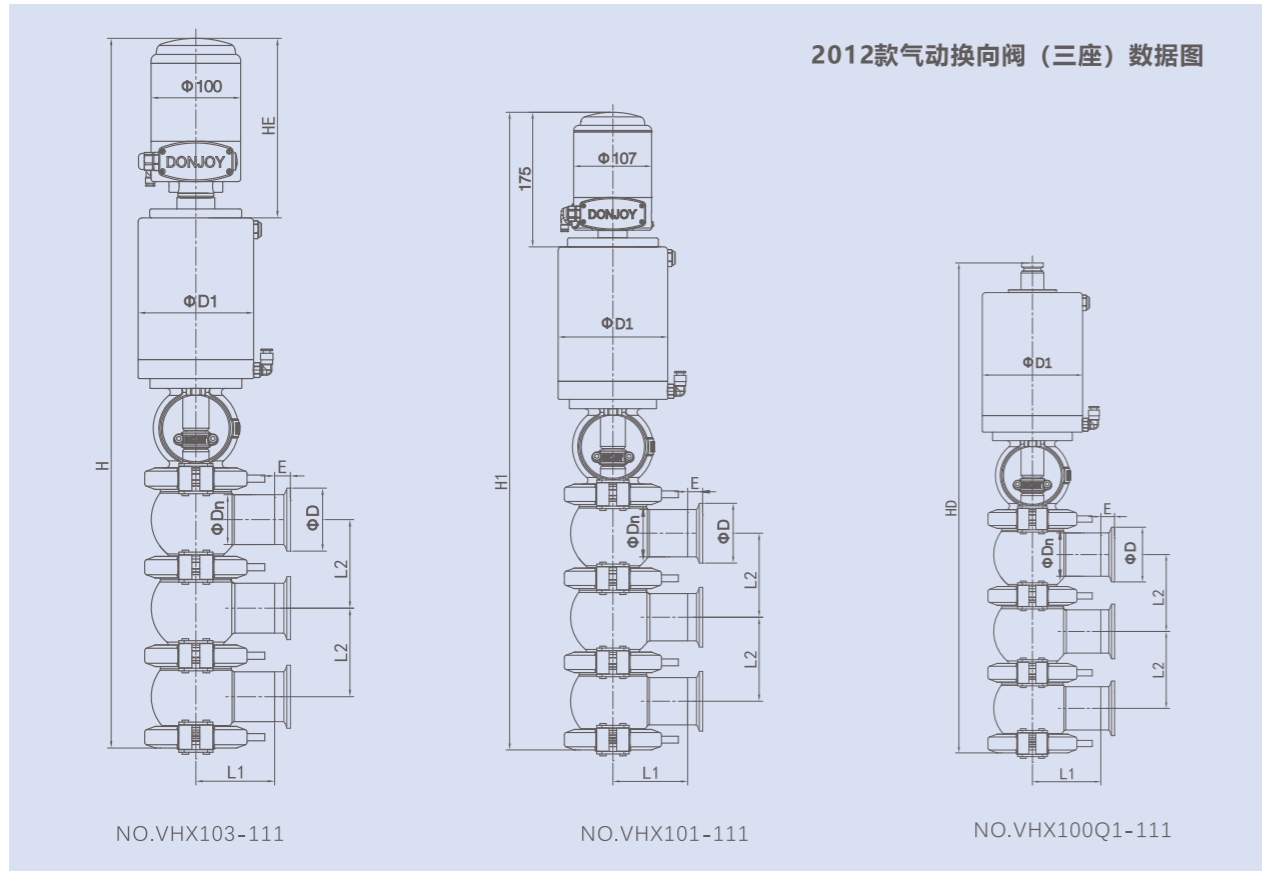
Valve body adopts clamp type, normally closed and normally open 180° U-turn round realization, pressure bear ≤10bar, size 1/2"-4", DN10-DN100, various controller can be configured.

### HX-S type



气动截止换向阀可适配于各种阀门控制器  
Pneumatic single seat valve can be adapted to various valve controllers

# 截止换向阀 Single seat valve



| 规格<br>Model | DIN气动换向截止阀 |     |     |     |     |      |      |         | 气量消耗(L/循环次)<br>Air consumption (L/One cycle) |                    |                |
|-------------|------------|-----|-----|-----|-----|------|------|---------|--|--------------------|----------------|
|             | H          | H1  | HD  | HE  | Dn  | D    | L2   | L1(焊接长) | 规格SIZE<br>ΦD1                                | 弹簧/气<br>Spring/air | 气/气<br>air/air |
| 222型        | 614        | 579 | 434 | 210 | 40  | 50.5 | 67.5 | 60      | 88   | 0.12               | 0.24           |
| 122型        | 694        | 659 | 534 | 210 | 52  | 64   | 76.5 | 70      | 113  | 0.21               | 0.42           |
| 212型        | 772        | 737 | 581 | 210 | 70  | 91   | 105  | 99      | 132  | 0.45               | 0.90           |
| 112型        | 772        | 737 | 581 | 210 | 75  | 106  | 105  | 99      | 132  | 0.45               | 0.90           |
| 111型        | 961        | 917 | 766 | 219 | 104 | 119  | 146  | 114     | 180  | 1.00               | 2.00           |
| 121型        |            |     |     |     |     |      |      |         |  |                    |                |
| 221型        |            |     |     |     |     |      |      |         |  |                    |                |
| 211型        |            |     |     |     |     |      |      |         |  |                    |                |

| 规格<br>Model | DIN气动换向截止阀 |       |       |     |     |      |      |         | 气量消耗(L/循环次)<br>Air consumption (L/One cycle) |                    |                |
|-------------|------------|-------|-------|-----|-----|------|------|---------|--|--------------------|----------------|
|             | H          | H1    | HD    | HE  | Dn  | D    | L2   | L1(焊接长) | 规格SIZE<br>ΦD1                                | 弹簧/气<br>Spring/air | 气/气<br>air/air |
| 22-A型       | 557.5      | 522.5 | 372.5 | 210 | 28  | 50.5 | 67.5 | 50      | 88   | 0.12               | 0.24           |
| 21-A型       | 562.5      | 527.5 | 377.5 | 210 | 34  | 50.5 | 67.5 | 55      | 113  | 0.21               | 0.42           |
| 12型         | 567.5      | 532.5 | 382.5 | 210 | 40  | 50.5 | 67.5 | 60      | 132  | 0.45               | 0.90           |
| 11型         | 567.5      | 532.5 | 382.5 | 210 | 40  | 50.5 | 67.5 | 60      | 180  | 1.00               | 2.00           |
| 32型         | 636        | 601   | 455   | 210 | 52  | 64   | 76.5 | 70      |  |                    |                |
| 31型         | 704        | 669   | 513   | 210 | 70  | 91   | 105  | 99      |  |                    |                |
| 22型         | 704        | 669   | 513   | 210 | 85  | 106  | 105  | 99      |  |                    |                |
| 21型         | 836        | 801   | 651   | 219 | 104 | 119  | 146  | 114     |  |                    |                |

| 规格<br>Model | DIN气动换向截止阀 |     |     |     |     |      |      |         | D1       |           |      | E(卡箍) | 重量(KG) |
|-------------|------------|-----|-----|-----|-----|------|------|---------|----------|-----------|------|-------|--------|
|             | H          | H1  | HD  | HE  | Dn  | D    | L2   | L1(焊接长) | 工作压力6Bar | 工作压力10Bar |      |       |        |
| DN40        | 614        | 579 | 434 | 210 | 40  | 50.5 | 67.5 | 60      | 88       | 113       | 12.7 | 7     |        |
| DN50        | 694        | 659 | 534 | 210 | 52  | 64   | 76.5 | 70      | 113      | 132       | 12.7 | 9     |        |
| DN65        | 772        | 737 | 581 | 210 | 70  | 91   | 105  | 99      | 132      | 180       | 12.7 | 18    |        |
| DN80        | 772        | 737 | 581 | 210 | 75  | 106  | 105  | 99      | 132      | 180       | 12.7 | 18    |        |
| DN100       | 961        | 917 | 766 | 219 | 104 | 119  | 146  | 114     | 180      |           | 15.8 | 20    |        |

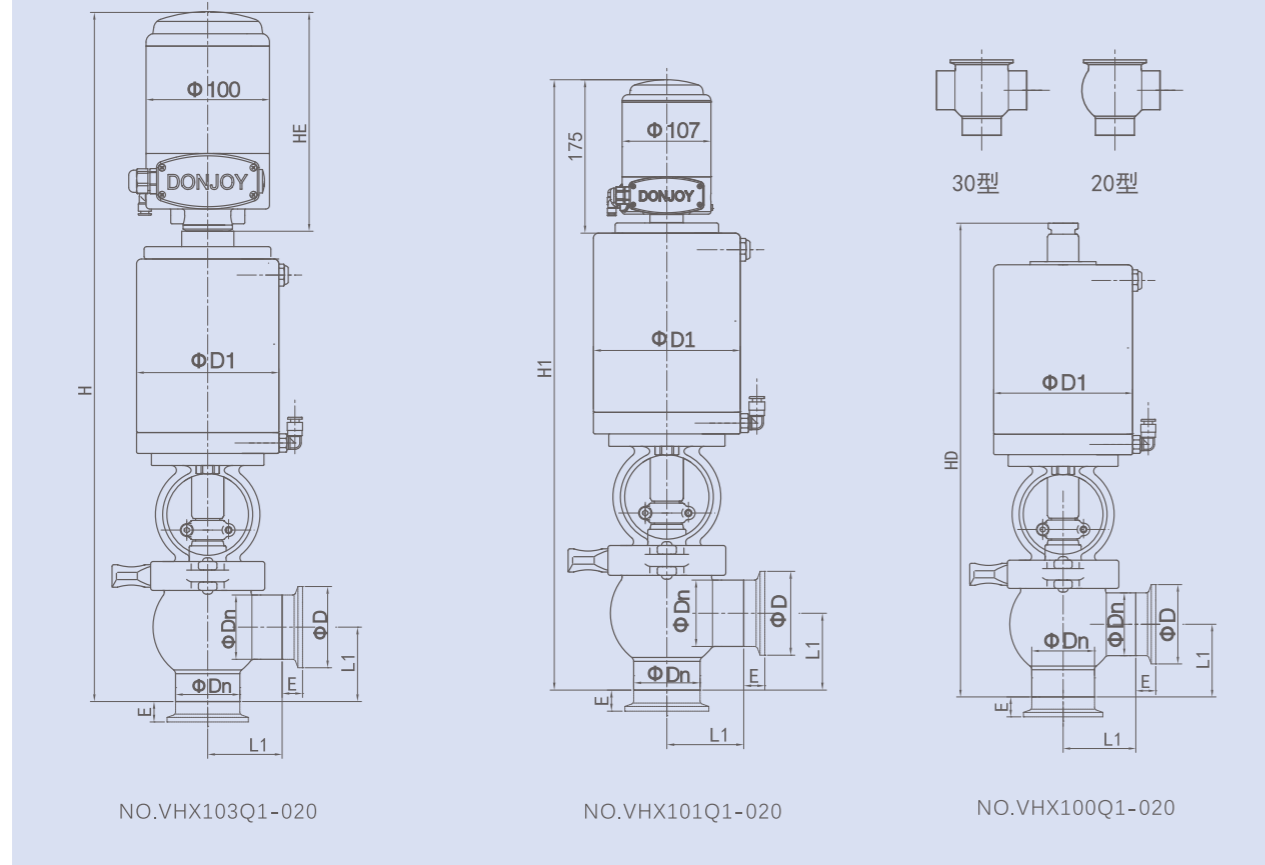
| 规格<br>Model | DIN气动换向截止阀 |       |       |     |     |      |      |         | D1       |           |      | E(卡箍) | 重量(KG) |
|-------------|------------|-------|-------|-----|-----|------|------|---------|----------|-----------|------|-------|--------|
|             | H          | H1    | HD    | HE  | Dn  | D    | L2   | L1(焊接长) | 工作压力6Bar | 工作压力10Bar |      |       |        |
| DN25        | 557.5      | 522.5 | 372.5 | 210 | 28  | 50.5 | 67.5 | 50      | 88       | 113       | 12.7 | 6     |        |
| DN32        | 562.5      | 527.5 | 377.5 | 210 | 34  | 50.5 | 67.5 | 55      | 88       | 113       | 12.7 | 6     |        |
| DN40        | 567.5      | 532.5 | 382.5 | 210 | 40  | 50.5 | 67.5 | 60      | 88       | 113       | 12.7 | 6     |        |
| DN50        | 636        | 601   | 455   | 210 | 52  | 64   | 76.5 | 70      | 113      | 132       | 12.7 | 8     |        |
| DN65        | 704        | 669   | 513   | 210 | 70  | 91   | 105  | 99      | 132      | 180       | 12.7 | 15    |        |
| DN80        | 704        | 669   | 513   | 210 | 85  | 106  | 105  | 99      | 132      | 180       | 12.7 | 15    |        |
| DN100       | 836        | 801   | 651   | 219 | 104 | 119  | 146  | 114     | 180      |           | 15.8 | 17    |        |

| 规格<br>Model | INCH气动换向截止阀 |     |     |     |       |      |      |         | D1       |           |      | E(卡箍) | 重量(KG) |
|-------------|-------------|-----|-----|-----|-------|------|------|---------|----------|-----------|------|-------|--------|
|             | H           | H1  | HD  | HE  | Dn    | D    | L2   | L1(焊接长) | 工作压力6Bar | 工作压力10Bar |      |       |        |
| 1.5"        | 614         | 579 | 434 | 210 | 38.1  | 50.5 | 67.5 | 60      | 88       | 113       | 12.7 | 7     |        |
| 2"          | 694         | 659 | 534 | 210 | 50.8  | 64   | 76.5 | 70      | 113      | 132       | 12.7 | 9     |        |
| 2.5"        | 770         | 685 | 530 | 210 | 63.5  | 77.5 | 88.5 | 80      | 132      | 180       | 12.7 | 18    |        |
| 3"          | 772         | 737 | 581 | 210 | 76.2  | 91   | 105  | 99      | 132      | 180       | 12.7 | 18    |        |
| 4"          | 961         | 917 | 766 | 219 | 101.6 | 119  | 146  | 114     | 180      |           | 15.8 | 20    |        |

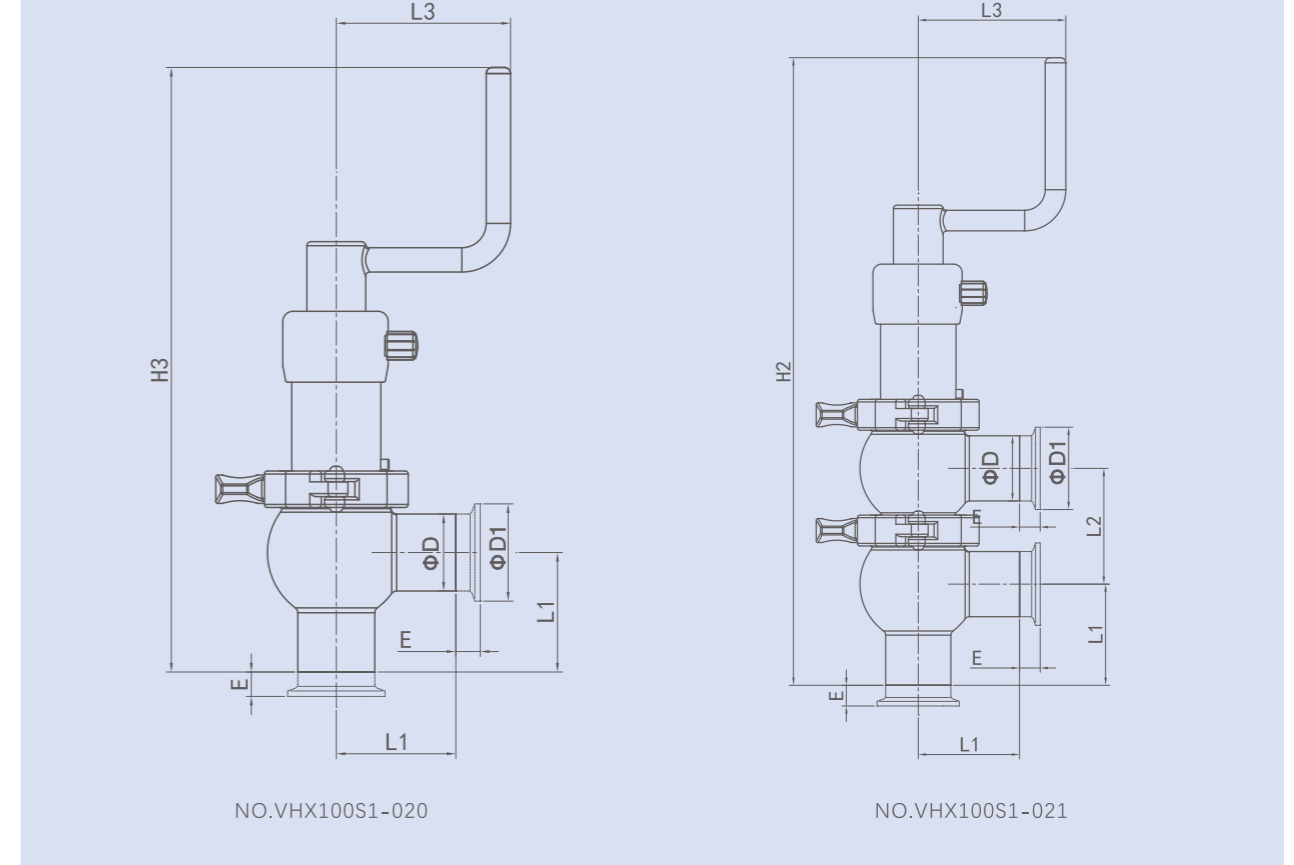
| 规格<br>Model | INCH气动换向截止阀 |       |       |     |       |     |      |         | D1       |           |      | E(卡箍) | 重量(KG) |
|-------------|-------------|-------|-------|-----|-------|-----|------|---------|----------|-----------|------|-------|--------|
|             | H           | H1    | HD    | HE  | Dn    | D   | L2   | L1(焊接长) | 工作压力6Bar | 工作压力10Bar |      |       |        |
| 1"          | 557.5       | 522.5 | 372.5 | 210 | 25.4  | 50  | 67.5 | 50      | 88       | 113       | 12.7 | 6     |        |
| 1.25"       | 562.5       | 527.5 | 377.5 | 210 | 31.8  | 55  | 67.5 | 55      | 88       | 113       | 12.7 | 6     |        |
| 1.5"        | 567.5       | 532.5 | 382.5 | 210 | 38.1  | 60  | 67.5 | 60      | 88       | 113       | 12.7 | 6     |        |
| 2"          | 636         | 601   | 455   | 210 | 50.8  | 70  | 76.5 | 70      | 113      | 132       | 12.7 | 8     |        |
| 2.5"        | 661         | 626   | 471   | 210 | 63.5  | 80  | 88.5 | 80      | 132      | 180       | 12.7 | 15    |        |
| 3"          | 704         | 669   | 513   | 210 | 76.2  | 99  | 105  | 99      | 132      | 180       | 12.7 | 15    |        |
| 4"          | 836         | 801   | 651   | 219 | 101.6 | 114 | 146  | 114     | 180      |           | 15.8 | 17    |        |

# 截止换向阀 Single seat valve

2012款气动换向阀（单座）数据图



2012款手动换向阀数据图



| 规格<br>Model | DIN气动换向截止阀 |     |     |     |     |      |         |          |           |       |        |
|-------------|------------|-----|-----|-----|-----|------|---------|----------|-----------|-------|--------|
|             | H          | H1  | HD  | HE  | Dn  | D    | L1(焊接长) | D1       |           | E(卡箍) | 重量(KG) |
|             |            |     |     |     |     |      |         | 工作压力6Bar | 工作压力10Bar |       |        |
| DN25        | 490        | 455 | 305 | 210 | 28  | 50.5 | 50      | 88       | 113       | 12.7  | 5      |
| DN32        | 495        | 460 | 310 | 210 | 34  | 50.5 | 55      | 88       | 113       | 12.7  | 5      |
| DN40        | 500        | 465 | 315 | 210 | 40  | 50.5 | 60      | 88       | 113       | 12.7  | 5      |
| DN50        | 560        | 525 | 378 | 210 | 52  | 64   | 70      | 113      | 132       | 12.7  | 7      |
| DN65        | 599        | 564 | 408 | 210 | 70  | 91   | 99      | 132      | 180       | 12.7  | 13     |
| DN80        | 599        | 564 | 408 | 210 | 85  | 106  | 99      | 132      | 180       | 12.7  | 13     |
| DN100       | 690        | 668 | 489 | 219 | 104 | 119  | 114     | 180      |           | 15.8  | 15     |

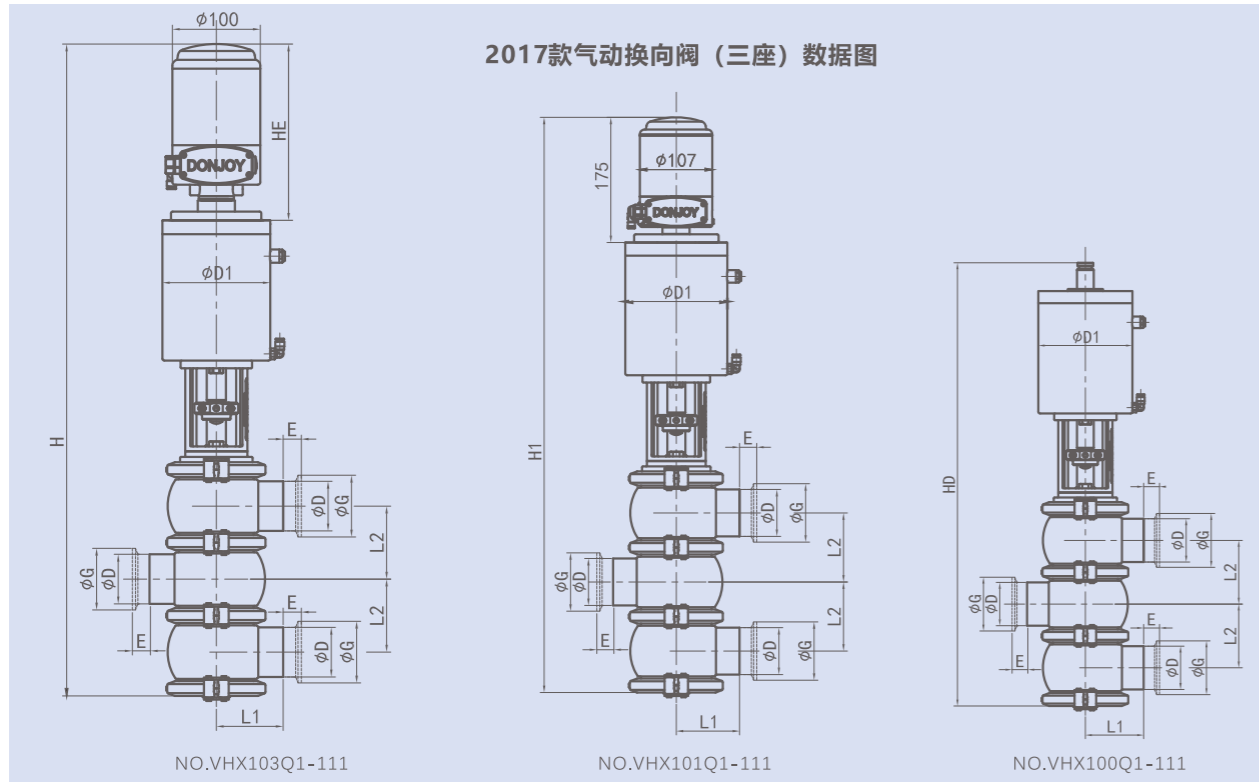
| 规格<br>Model | INCH手动换向截止阀 |     |       |      |     |     |    |       |        |    |
|-------------|-------------|-----|-------|------|-----|-----|----|-------|--------|----|
|             | H2          | H3  | D     | D1   | L1  | L2  | L3 | E(卡箍) | 重量(KG) |    |
|             |             |     |       |      |     |     |    |       | 1      | 2  |
| 1"          | 370         | 303 | 25.4  | 50.5 | 50  | 67  | 86 | 12.7  | 4      | 3  |
| 1.25"       | 375         | 308 | 31.8  | 50.5 | 55  | 67  | 86 | 12.7  | 4      | 3  |
| 1.5"        | 380         | 313 | 38.1  | 50.5 | 60  | 67  | 86 | 12.7  | 4      | 3  |
| 2"          | 416         | 340 | 50.8  | 64   | 70  | 76  | 86 | 12.7  | 5      | 4  |
| 2.5"        | 475         | 348 | 63.5  | 77.5 | 80  | 88  | 86 | 12.7  | 8      | 6  |
| 3"          | 479         | 374 | 76.2  | 91   | 99  | 105 | 86 | 12.7  | 10     | 8  |
| 4"          | 554         | 408 | 101.6 | 119  | 114 | 146 | 86 | 15.8  | 15     | 12 |

| 规格<br>Model | INCH气动换向截止阀 |     |     |     |       |      |         |          |           |       |        |
|-------------|-------------|-----|-----|-----|-------|------|---------|----------|-----------|-------|--------|
|             | H           | H1  | HD  | HE  | Dn    | D    | L1(焊接长) | D1       |           | E(卡箍) | 重量(KG) |
|             |             |     |     |     |       |      |         | 工作压力6Bar | 工作压力10Bar |       |        |
| 1"          | 490         | 455 | 305 | 210 | 25.4  | 50.5 | 50      | 88       | 113       | 12.7  | 5      |
| 1.25"       | 495         | 460 | 310 | 210 | 31.8  | 50.5 | 55      | 88       | 113       | 12.7  | 5      |
| 1.5"        | 500         | 465 | 315 | 210 | 38.1  | 50.5 | 60      | 88       | 113       | 12.7  | 5      |
| 2"          | 560         | 525 | 378 | 210 | 50.8  | 64   | 70      | 113      | 132       | 12.7  | 7      |
| 2.5"        | 573         | 538 | 382 | 210 | 63.5  | 77.5 | 80      | 132      | 180       | 12.7  | 13     |
| 3"          | 599         | 564 | 408 | 210 | 76.2  | 91   | 99      | 132      | 180       | 12.7  | 13     |
| 4"          | 690         | 668 | 489 | 219 | 101.6 | 119  | 114     | 180      |           | 15.8  | 15     |

| 规格<br>Model | DIN手动换向截止阀 |     |     |      |     |    |    |       |        |    |
|-------------|------------|-----|-----|------|-----|----|----|-------|--------|----|
|             | H2         | H3  | D   | D1   | L1  | L2 | L3 | E(卡箍) | 重量(KG) |    |
|             |            |     |     |      |     |    |    |       | 1      | 2  |
| DN25        | 370        | 303 | 28  | 50.5 | 50  | 67 | 86 | 12.7  | 4      | 3  |
| DN32        | 375        | 308 | 34  | 50.5 | 55  | 67 | 86 | 12.7  | 4      | 3  |
| DN40        | 380        | 313 | 40  | 50.5 | 60  | 67 | 86 | 12.7  | 4      | 3  |
| DN50        | 416        | 340 | 52  | 64   | 70  | 76 | 86 | 12.7  | 5      | 4  |
| DN65        | 479        | 374 | 70  | 91   | 99  |    | 86 | 12.7  | 8      | 6  |
| DN80        | 479        | 374 | 85  | 106  | 99  |    | 86 | 12.7  | 10     | 8  |
| DN100       | 554        | 408 | 104 | 119  | 114 |    | 86 | 15.8  | 15     | 12 |



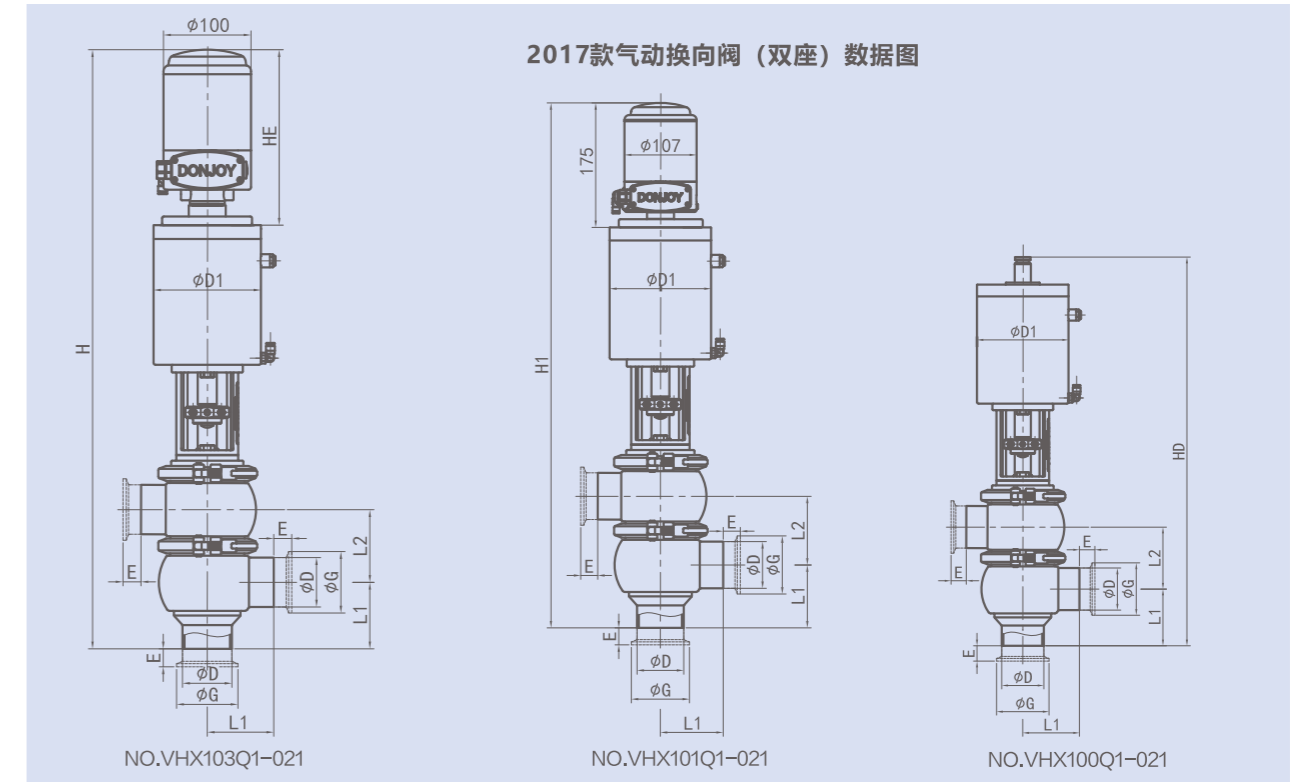
# 截止换向阀 Single seat valve



|            |      |                    |                |      |      |      |      | 气量消耗(L/循环次)<br>Air consumption (L/One cycle) |      |      |
|------------|------|--------------------|----------------|------|------|------|------|--|------|------|
| 规格<br>SIZE | ΦD1  | 弹簧/气<br>Spring/air | 气/气<br>air/air |      |      |      |      |  |      |      |
| 222型       | 122型 | 212型               | 112型           | 111型 | 121型 | 221型 | 211型 | 88   | 0.16 | 0.5  |
|            |      |                    |                |      |      |      |      | 113  | 0.3  | 0.11 |
|            |      |                    |                |      |      |      |      | 132  | 0.5  | 0.17 |
|            |      |                    |                |      |      |      |      | 180  | 1.3  | 0.38 |

| 规格<br>Model | DIN气动换向截止阀 |     |     |     |     |      |     |         |          |           |       |
|-------------|------------|-----|-----|-----|-----|------|-----|---------|----------|-----------|-------|
|             | H          | H1  | HD  | HE  | D   | G    | L2  | L1(焊接长) | D1       |           | E(卡箍) |
|             |            |     |     |     |     |      |     |         | 工作压力6Bar | 工作压力10Bar |       |
| DN25        | 638        | 603 | 456 | 210 | 28  | 50.5 | 67  | 50      | 113      | 113       | 12.7  |
| DN32        | 638        | 603 | 456 | 210 | 34  | 50.5 | 67  | 55      | 113      | 113       | 12.7  |
| DN40        | 643        | 608 | 459 | 210 | 40  | 50.5 | 69  | 60      | 113      | 113       | 12.7  |
| DN50        | 692        | 657 | 516 | 210 | 52  | 64   | 77  | 70      | 113      | 132       | 12.7  |
| DN65        | 771        | 736 | 584 | 210 | 70  | 91   | 99  | 90      | 132      | 180       | 12.7  |
| DN80        | 816        | 781 | 628 | 210 | 85  | 106  | 114 | 99      | 132      | 180       | 12.7  |
| DN100       | 956        | 921 | 776 | 219 | 104 | 119  | 147 | 114     | 180      | /         | 15.8  |

| 规格<br>Model | INCH气动换向截止阀 |     |     |     |       |      |     |         |          |           |       |
|-------------|-------------|-----|-----|-----|-------|------|-----|---------|----------|-----------|-------|
|             | H           | H1  | HD  | HE  | D     | G    | L2  | L1(焊接长) | D1       |           | E(卡箍) |
|             |             |     |     |     |       |      |     |         | 工作压力6Bar | 工作压力10Bar |       |
| 1"          | 638         | 603 | 456 | 210 | 25.4  | 50.5 | 67  | 50      | 113      | 113       | 12.7  |
| 1.25"       | 638         | 603 | 456 | 210 | 31.8  | 50.5 | 67  | 55      | 113      | 113       | 12.7  |
| 1.5"        | 643         | 608 | 459 | 210 | 38.1  | 50.5 | 69  | 60      | 113      | 113       | 12.7  |
| 2"          | 692         | 657 | 516 | 210 | 50.8  | 64   | 77  | 70      | 113      | 132       | 12.7  |
| 2.5"        | 739         | 704 | 549 | 210 | 63.5  | 77.5 | 89  | 90      | 132      | 180       | 12.7  |
| 3"          | 790         | 755 | 602 | 210 | 76.2  | 91   | 106 | 99      | 132      | 180       | 12.7  |
| 4"          | 956         | 921 | 776 | 219 | 101.6 | 119  | 147 | 114     | 180      | /         | 15.8  |

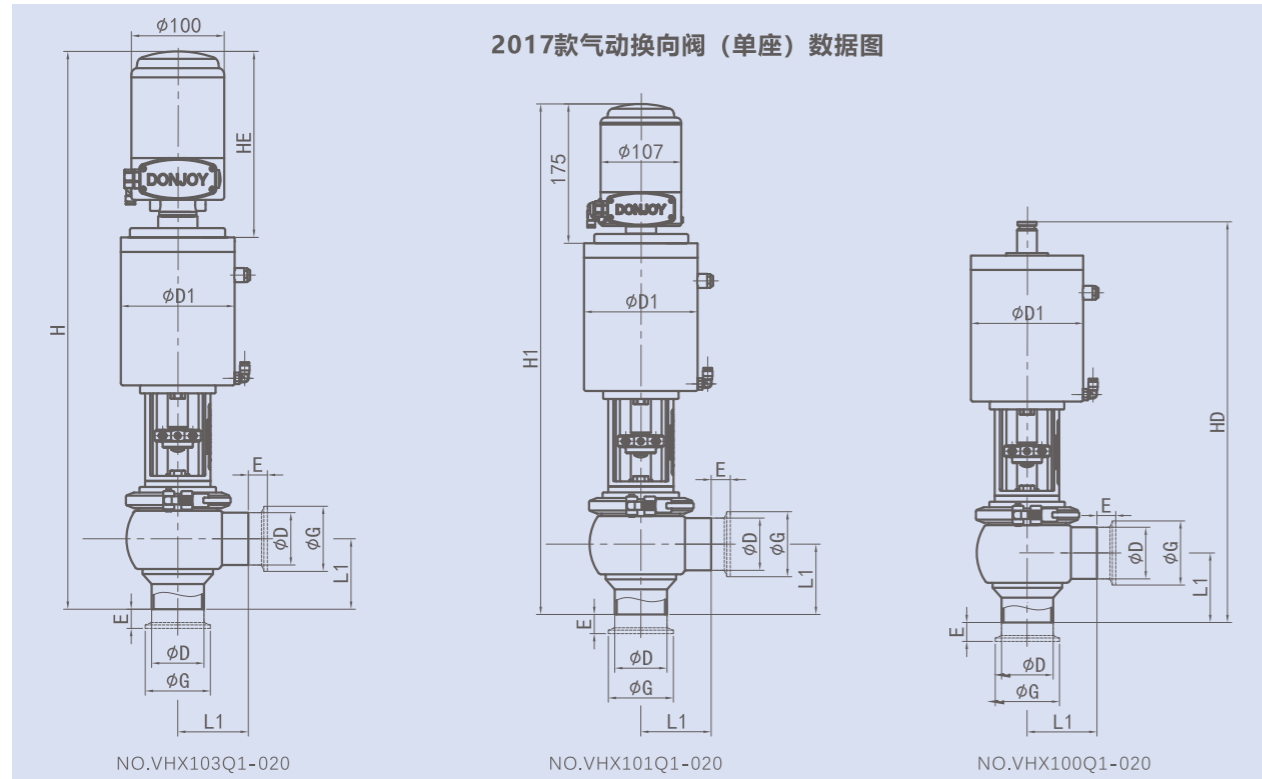


|            |      |                    |                |      |      |      |      |     |     |     | 气量消耗(L/循环次)<br>Air consumption (L/One cycle) |     |      |      |
|------------|------|--------------------|----------------|------|------|------|------|-----|-----|-----|--|-----|------|------|
| 规格<br>SIZE | ΦD1  | 弹簧/气<br>Spring/air | 气/气<br>air/air |      |      |      |      |     |     |     |  |     |      |      |
| 222型       | 122型 | 212型               | 112型           | 111型 | 121型 | 221型 | 211型 | 32型 | 31型 | 22型 | 21型  | 88  | 0.16 | 0.5  |
|            |      |                    |                |      |      |      |      |     |     |     |  | 113 | 0.3  | 0.11 |
|            |      |                    |                |      |      |      |      |     |     |     |  | 132 | 0.5  | 0.17 |
|            |      |                    |                |      |      |      |      |     |     |     |  | 180 | 1.3  | 0.38 |

| 规格<br>Model | DIN气动换向截止阀 |     |     |     |     |      |     |         |          |           |       |
|-------------|------------|-----|-----|-----|-----|------|-----|---------|----------|-----------|-------|
|             | H          | H1  | HD  | HE  | D   | G    | L2  | L1(焊接长) | D1       |           | E(卡箍) |
|             |            |     |     |     |     |      |     |         | 工作压力6Bar | 工作压力10Bar |       |
| DN25        | 579        | 544 | 395 | 210 | 28  | 50.5 | 67  | 50      | 88       | 113       | 12.7  |
| DN32        | 584        | 549 | 400 | 210 | 34  | 50.5 | 67  | 55      | 88       | 113       | 12.7  |
| DN40        | 591        | 556 | 407 | 210 | 40  | 50.5 | 69  | 60      | 88       | 113       | 12.7  |
| DN50        | 639        | 604 | 463 | 210 | 52  | 64   | 77  | 70      | 113      | 132       | 12.7  |
| DN65        | 704        | 669 | 513 | 210 | 70  | 91   | 99  | 90      | 132      | 180       | 12.7  |
| DN80        | 735        | 700 | 545 | 210 | 85  | 106  | 114 | 99      | 132      | 180       | 12.7  |
| DN100       | 839        | 804 | 657 | 219 | 104 | 119  | 147 | 114     | 180      | /         | 15.8  |

| 规格<br>Model | INCH气动换向截止阀 |       |     |     |       |      |     |         |          |           |       |
|-------------|-------------|-------|-----|-----|-------|------|-----|---------|----------|-----------|-------|
|             | H           | H1    | HD  | HE  | D     | G    | L2  | L1(焊接长) | D1       |           | E(卡箍) |
|             |             |       |     |     |       |      |     |         | 工作压力6Bar | 工作压力10Bar |       |
| 1"          | 579         | 544   | 395 | 210 | 25.4  | 50.5 | 67  | 50      | 88       | 113       | 12.7  |
| 1.25"       | 584         | 549   | 400 | 210 | 31.8  | 50.5 | 67  | 55      | 88       | 113       | 12.7  |
| 1.5"        | 591         | 556   | 407 | 210 | 38.1  | 50.5 | 69  | 60      | 88       | 113       | 12.7  |
| 2"          | 639         | 604   | 463 | 210 | 50.8  | 64   | 77  | 70      | 113      | 132       | 12.7  |
| 2.5"        | 677.5       | 642.5 | 487 | 210 | 63.5  | 77.5 | 89  | 80      | 132      | 180       | 12.7  |
| 3"          | 722         | 687   | 532 | 210 | 76.2  | 91   | 106 | 99      | 132      | 180       | 12.7  |
| 4"          | 839         | 804   | 657 | 219 | 101.6 | 119  | 147 | 114     | 180      | /         | 15.8  |

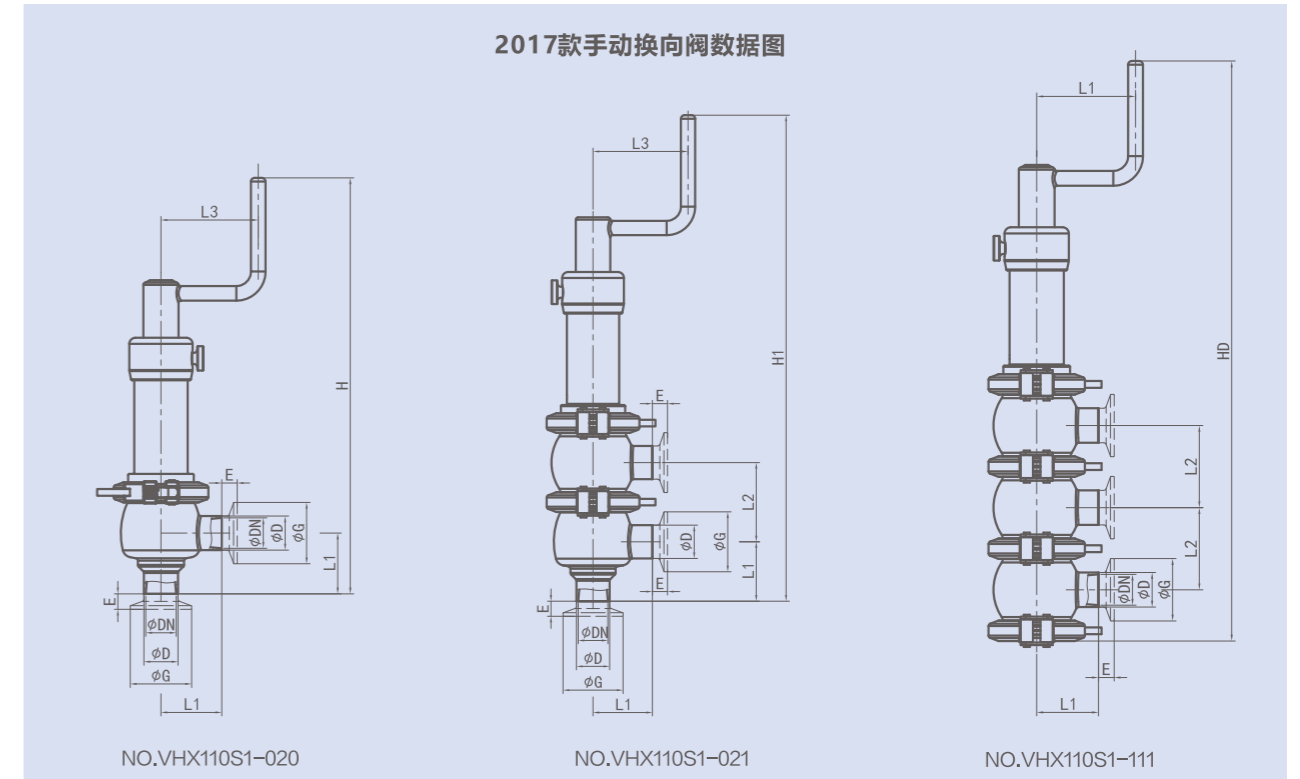
# 截止换向阀 Single seat valve



| 规格<br>Model | H   | H1  | HD  | HE  | D   | G    | L1(焊接长) | D1       |           | E(卡箍) |
|-------------|-----|-----|-----|-----|-----|------|---------|----------|-----------|-------|
|             |     |     |     |     |     |      |         | 工作压力6Bar | 工作压力10Bar |       |
| DN25        | 513 | 478 | 328 | 210 | 28  | 50.5 | 50      | 88       | 113       | 12.7  |
| DN32        | 513 | 478 | 333 | 210 | 34  | 50.5 | 55      | 88       | 113       | 12.7  |
| DN40        | 523 | 488 | 338 | 210 | 40  | 50.5 | 60      | 88       | 113       | 12.7  |
| DN50        | 563 | 528 | 386 | 210 | 52  | 64   | 70      | 113      | 132       | 12.7  |
| DN65        | 605 | 570 | 414 | 210 | 70  | 91   | 90      | 132      | 180       | 12.7  |
| DN80        | 621 | 586 | 431 | 210 | 85  | 106  | 99      | 132      | 180       | 12.7  |
| DN100       | 693 | 658 | 511 | 219 | 104 | 119  | 114     | 180      | /         | 15.8  |

| 规格<br>Model | H   | H1  | HD  | HE  | D     | G    | L1(焊接长) | D1       |           | E(卡箍) |
|-------------|-----|-----|-----|-----|-------|------|---------|----------|-----------|-------|
|             |     |     |     |     |       |      |         | 工作压力6Bar | 工作压力10Bar |       |
| DN25        | 513 | 478 | 328 | 210 | 25.4  | 50.5 | 50      | 88       | 113       | 12.7  |
| DN32        | 513 | 478 | 333 | 210 | 31.8  | 50.5 | 55      | 88       | 113       | 12.7  |
| DN40        | 523 | 488 | 338 | 210 | 38.1  | 50.5 | 60      | 88       | 113       | 12.7  |
| DN50        | 563 | 528 | 386 | 210 | 50.8  | 64   | 70      | 113      | 132       | 12.7  |
| DN65        | 589 | 554 | 399 | 210 | 63.5  | 77.5 | 80      | 132      | 180       | 12.7  |
| DN80        | 617 | 582 | 426 | 210 | 76.2  | 91   | 99      | 132      | 180       | 12.7  |
| DN100       | 693 | 658 | 511 | 219 | 101.6 | 119  | 114     | 180      | /         | 15.8  |

| 规格<br>Model | H   | H1  | HD  | HE  | D     | G    | L1(焊接长) | D1       |           | E(卡箍) |
|-------------|-----|-----|-----|-----|-------|------|---------|----------|-----------|-------|
|             |     |     |     |     |       |      |         | 工作压力6Bar | 工作压力10Bar |       |
| DN25        | 513 | 478 | 328 | 210 | 25.4  | 50.5 | 50      | 88       | 113       | 12.7  |
| DN32        | 513 | 478 | 333 | 210 | 31.8  | 50.5 | 55      | 88       | 113       | 12.7  |
| DN40        | 523 | 488 | 338 | 210 | 38.1  | 50.5 | 60      | 88       | 113       | 12.7  |
| DN50        | 563 | 528 | 386 | 210 | 50.8  | 64   | 70      | 113      | 132       | 12.7  |
| DN65        | 589 | 554 | 399 | 210 | 63.5  | 77.5 | 80      | 132      | 180       | 12.7  |
| DN80        | 617 | 582 | 426 | 210 | 76.2  | 91   | 99      | 132      | 180       | 12.7  |
| DN100       | 693 | 658 | 511 | 219 | 101.6 | 119  | 114     | 180      | /         | 15.8  |



| 规格<br>Model | Dn  | D   | G    | L(焊接长) | L2  | E    | H   | H1  | HD    |
|-------------|-----|-----|------|--------|-----|------|-----|-----|-------|
| DN25        | 25  | 28  | 50.5 | 50     | 67  | 12.7 | 325 | 392 | 453   |
| DN32        | 31  | 34  | 50.5 | 55     | 67  | 12.7 | 330 | 397 | 453   |
| DN40        | 37  | 40  | 50.5 | 60     | 69  | 12.7 | 336 | 404 | 457   |
| DN50        | 49  | 52  | 64   | 70     | 77  | 12.7 | 347 | 424 | 474   |
| DN65        | 66  | 70  | 91   | 90     | 99  | 12.7 | 380 | 460 | 550   |
| DN80        | 81  | 85  | 106  | 99     | 106 | 12.7 | 397 | 541 | 621.5 |
| DN100       | 100 | 104 | 119  | 114    | 147 | 15.8 | 454 | 599 | 684   |

| 规格<br>Model | Dn   | D     | G    | L(焊接长) | L2  | E    | H   | H1  | HD  |
|-------------|------|-------|------|--------|-----|------|-----|-----|-----|
| 1"          | 22.4 | 25.4  | 50.5 | 50     | 67  | 12.7 | 325 | 392 | 453 |
| 1.25"       | 28.8 | 31.8  | 50.5 | 55     | 67  | 12.7 | 330 | 397 | 453 |
| 1.5"        | 35.1 | 38.1  | 50.5 | 60     | 69  | 12.7 | 336 | 404 | 457 |
| 2"          | 47.8 | 50.8  | 64   | 70     | 77  | 12.7 | 347 | 424 | 474 |
| 2.5"        | 59.5 | 63.5  | 77.5 | 80     | 89  | 12.7 | 365 | 453 | 514 |
| 3"          | 72.2 | 76.2  | 91   | 99     | 106 | 12.7 | 392 | 498 | 594 |
| 4"          | 97.6 | 101.6 | 119  | 114    | 147 | 15.8 | 454 | 599 | 684 |

| 规格<br>Model | Dn   | D     | G    | L(焊接长) | L2  | E    | H   | H1  | HD  |
|-------------|------|-------|------|--------|-----|------|-----|-----|-----|
| 1"          | 22.4 | 25.4  | 50.5 | 50     | 67  | 12.7 | 325 | 392 | 453 |
| 1.25"       | 28.8 | 31.8  | 50.5 | 55     | 67  | 12.7 | 330 | 397 | 453 |
| 1.5"        | 35.1 | 38.1  | 50.5 | 60     | 69  | 12.7 | 336 | 404 | 457 |
| 2"          | 47.8 | 50.8  | 64   | 70     | 77  | 12.7 | 347 | 424 | 474 |
| 2.5"        | 59.5 | 63.5  | 77.5 | 80     | 89  | 12.7 | 365 | 453 | 514 |
| 3"          | 72.2 | 76.2  | 91   | 99     | 106 | 12.7 | 392 | 498 | 594 |
| 4"          | 97.6 | 101.6 | 119  | 114    | 147 | 15.8 | 454 | 599 | 684 |

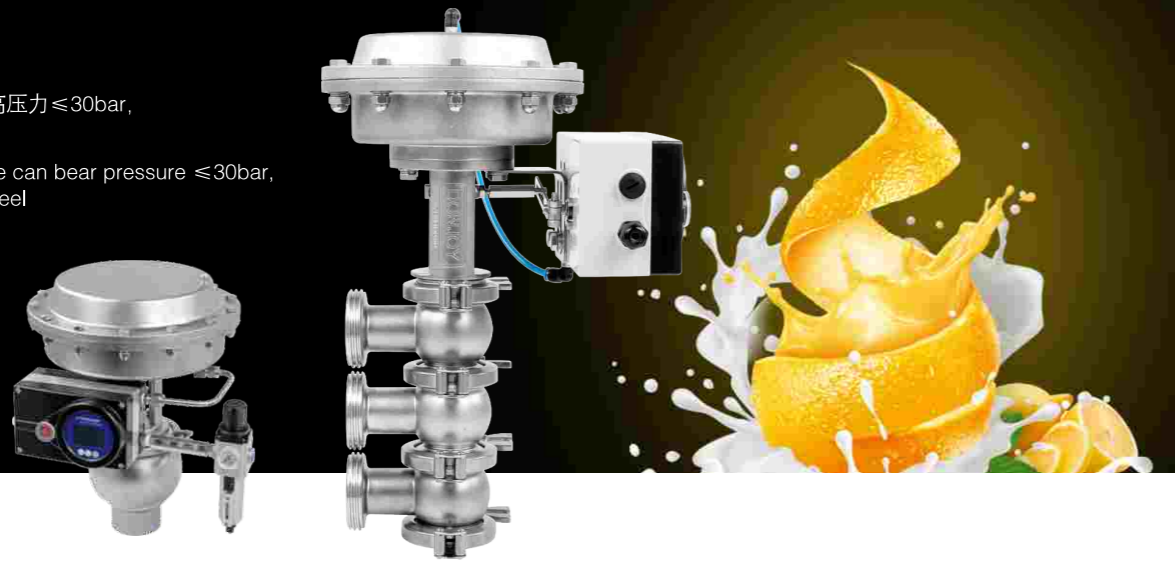
# 薄膜气动截止换向阀

## Thin film pneumatic divert seat valve

### HX-BM type

薄膜式截止换向阀承受更高压力 ≤30bar, 更短高度、不锈钢材质

Film-type single seat valve can bear pressure ≤30bar, Shorter height, stainless steel

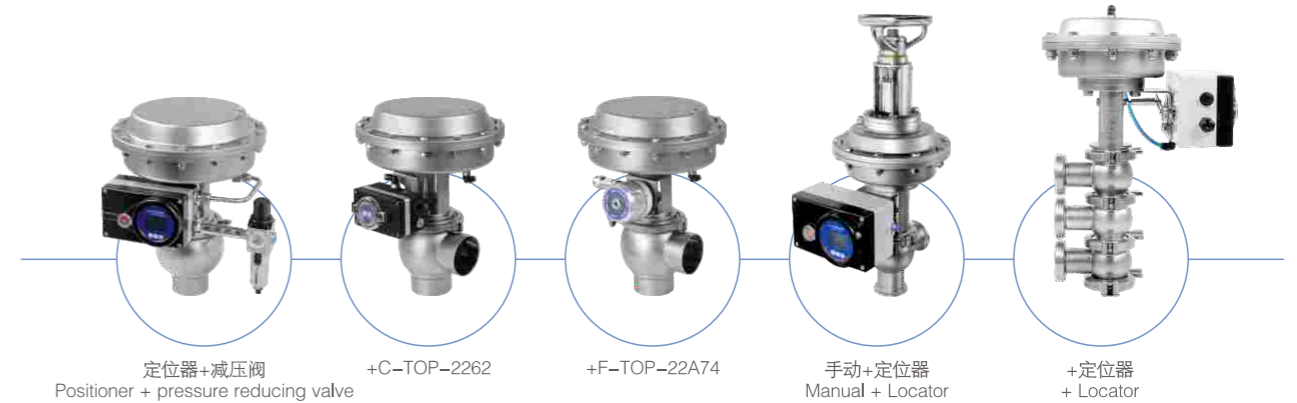


### HX-BM type

#### 薄膜式截止换向阀

#### Film-type single seat valve

薄膜式截止换向阀承受更高压力 ≤30bar, 更短高度、不锈钢材质  
Film-type single seat valve can bear pressure ≤30bar, Shorter height, stainless steel



#### 技术特点

薄膜式气动换阀, 具有标准截止换向阀所有的功能。该阀门技术优势, 承受更高的压力, 阀门更短的高度, 可抗击水锤, 侧面安装定位器实现自动流量调节。

#### Technical features

Diaphragm type pneumatic reversal valve, directional valve with standard all functions and features.  
Technical advantages of valve: Under higher pressure, actuator height is shorter, can resist water hammer, sides mounted positioner.

#### 技术规格

规格: 2"-6", DN50-DN150  
材质: 316L/304  
压力: 10bar, 20bar(选项)  
温度: -10°C到130°C

#### Technical specifications

Size: 2"-6", DN50-DN150  
Material: 316L/304  
Pressure: 10bar, 20bar(选项)  
Temperature: -10°C to 130°C

#### 技术特点

- 和物料接触部分: AISI316L、AISI 304
- 其他部分为不锈钢: AISI 304
- 密封圈: EPDM根据FDA 177.2600
- 内表面处理: Ra<0.8 μm
- 外表面处理: 喷砂、抛光

#### Technical Features

- Parts in contact with medium: AISI 316L, AISI 304
- Other parts in stainless steel: AISI 304
- Gasket: EPDM according to FDA 177.2600
- Internal surface finish: Ra<0.8 μm
- External surface finish: Sandblast or mirror polish

### HX-GM type

#### 隔膜无菌截止换向阀

#### Membrane aseptic single seat valve

设计有膜片屏障完全隔绝阀腔和外界接触。  
Diaphragm isolate the valve from outside circumstance

隔膜无菌的设计有PTFE膜片完全隔绝了阀门与外界的联系, 防止了细菌进入的风险。同时设计与检漏腔实时检测膜片泄漏或损坏。

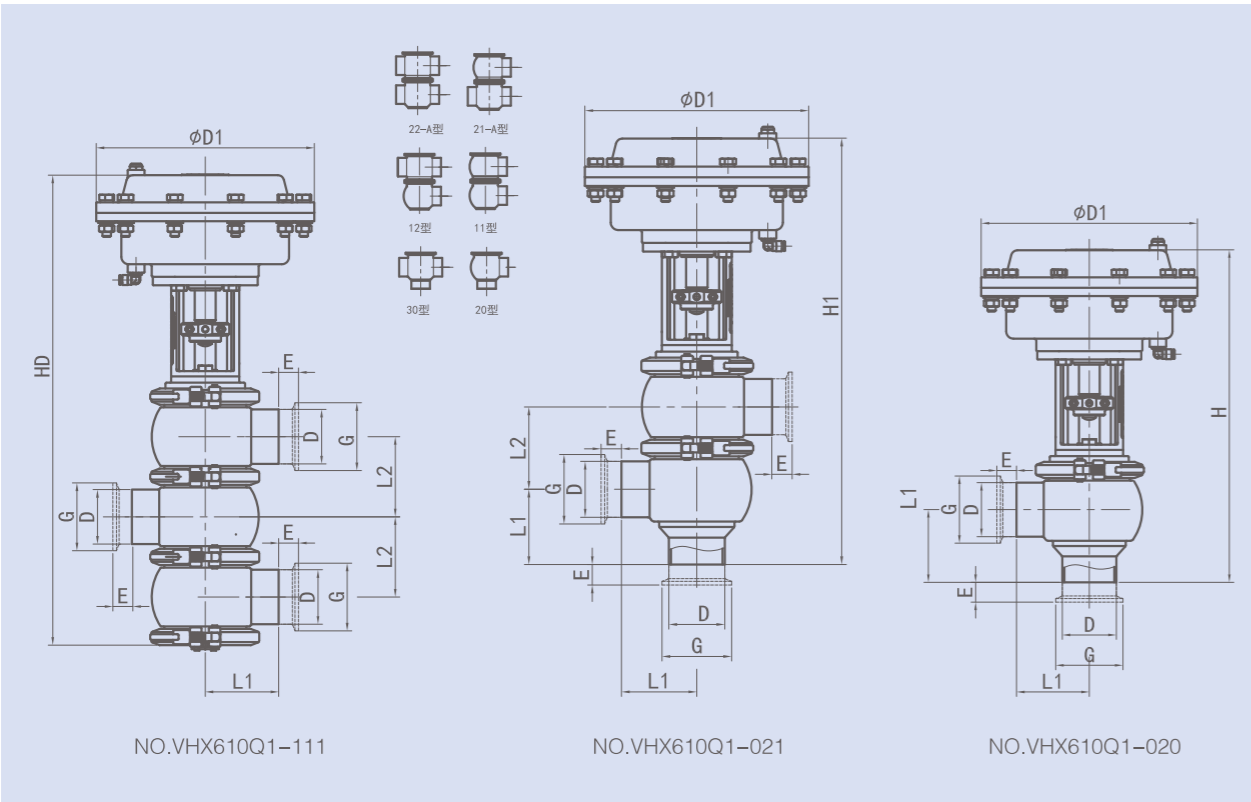
Membrane aseptic design is accomplished by PTFE diaphragm to isolate the valve from outside circumstance, preventing risk if bacteria entering. At the same time, the leak detection chamber is designed to detect diaphragm leakage or damage in real time.



# 薄膜气动截止换向阀 Thin film pneumatic divert seat valve

# 隔膜无菌截止换向阀 Diaphragm aseptic direct seat valve

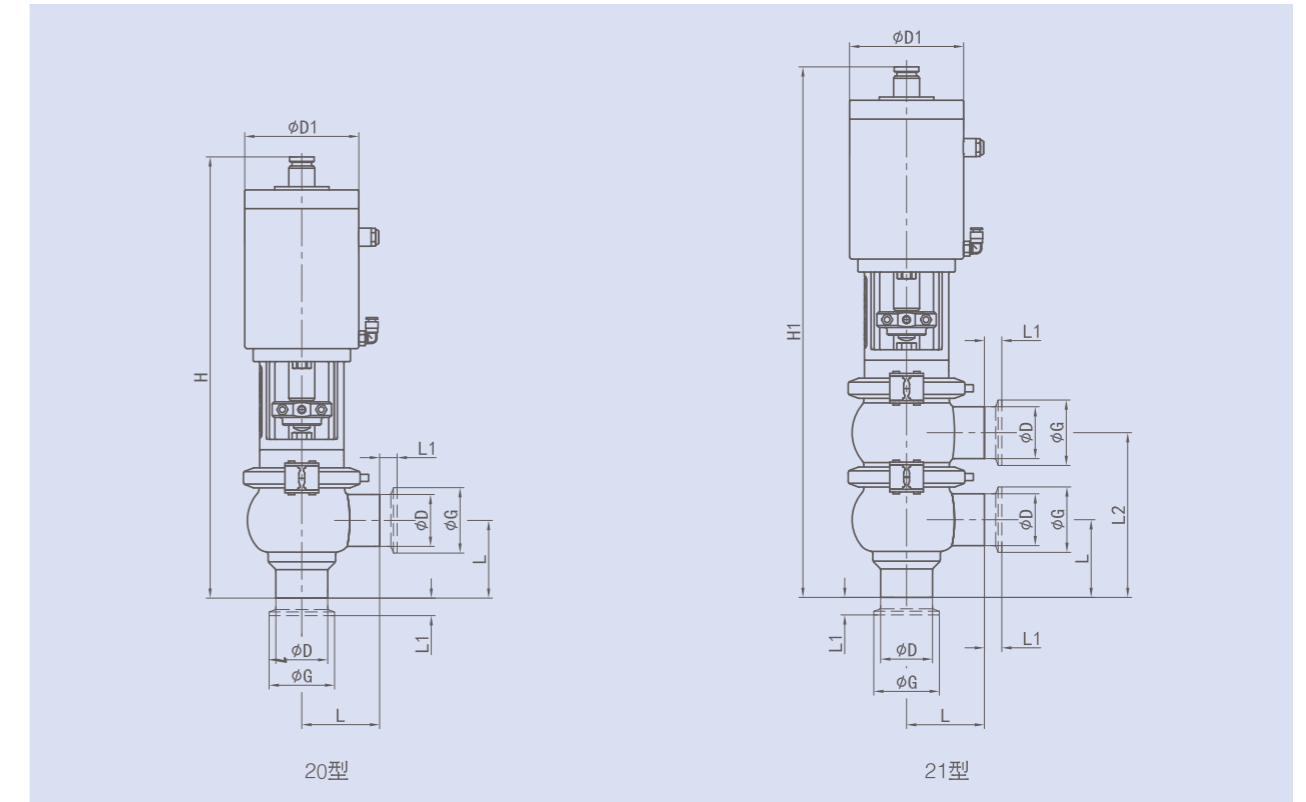
薄膜式气动换向阀数据图 Thin film pneumatic divert seat valve table



| 规格<br>Model | DIN气动换向阀 |     |     |     |      |         |       |     |       |
|-------------|----------|-----|-----|-----|------|---------|-------|-----|-------|
|             | H        | H1  | HD  | D   | G    | L1(焊接长) | L2    | D1  | E(卡箍) |
| DN25        | 278      | 345 | 402 | 28  | 50.5 | 50      | 67    | 208 | 12.7  |
| DN32        | 283      | 350 | 402 | 34  | 50.5 | 55      | 67    | 208 | 12.7  |
| DN40        | 288      | 356 | 408 | 40  | 50.5 | 60      | 69    | 208 | 12.7  |
| DN50        | 303      | 379 | 432 | 52  | 64   | 70      | 76    | 208 | 12.7  |
| DN65        | 363      | 462 | 529 | 70  | 91   | 90      | 99    | 300 | 12.7  |
| DN80        | 379      | 477 | 574 | 85  | 106  | 99      | 114   | 300 | 12.7  |
| DN100       | 405      | 551 | 668 | 104 | 119  | 114     | 147   | 300 | 15.8  |
| DN125       | 434      | 612 | 751 | 129 | 155  | 135     | 177.5 | 300 | 28    |
| DN150       | 463      | 667 | 833 | 154 | 167  | 150     | 205   | 300 | 28    |

| 规格<br>Model | INCH气动换向阀 |     |     |       |      |         |     |     |       |
|-------------|-----------|-----|-----|-------|------|---------|-----|-----|-------|
|             | H         | H1  | HD  | D     | G    | L1(焊接长) | L2  | D1  | E(卡箍) |
| 1"          | 278       | 345 | 402 | 25.4  | 50.5 | 50      | 67  | 208 | 12.7  |
| 1.25"       | 283       | 350 | 402 | 31.8  | 50.5 | 55      | 67  | 208 | 12.7  |
| 1.5"        | 288       | 356 | 408 | 38.1  | 50.5 | 60      | 69  | 208 | 12.7  |
| 2"          | 303       | 379 | 432 | 50.8  | 64   | 70      | 76  | 208 | 12.7  |
| 2.5"        | 347       | 435 | 497 | 63.5  | 77.5 | 80      | 99  | 300 | 12.7  |
| 3"          | 375       | 480 | 547 | 76.2  | 91   | 99      | 106 | 300 | 12.7  |
| 4"          | 405       | 551 | 668 | 101.6 | 119  | 114     | 147 | 300 | 15.8  |
| 5"          | 434       | 612 | 751 | 127   | 155  | 135     | 178 | 300 | 21.5  |
| 6"          | 463       | 667 | 833 | 152.4 | 167  | 150     | 205 | 300 | 21.5  |

2021款隔膜式换向阀外形尺寸图 Diaphragm aseptic direct seat valve table



| 规格<br>Model | DIN |     |      |     |      |       |       |       |
|-------------|-----|-----|------|-----|------|-------|-------|-------|
|             | D   | D1  | G    | L   | L1   | L2    | H     | H1    |
| DN25        | 28  | 88  | 50.5 | 50  | 21.5 | 117   | 329   | 395   |
| DN40        | 40  | 88  | 50.5 | 60  | 21.5 | 127   | 341   | 409.5 |
| DN50        | 52  | 113 | 64   | 70  | 21.5 | 146.5 | 389   | 466   |
| DN80        | 85  | 132 | 106  | 99  | 28   | 204.5 | 429.5 | 535   |
| DN100       | 104 | 180 | 119  | 114 | 28   | 260.5 | 517   | 663.5 |

| 规格<br>Model | INCH  |     |      |     |      |       |       |       |
|-------------|-------|-----|------|-----|------|-------|-------|-------|
|             | D     | D1  | G    | L   | L1   | L2    | H     | H1    |
| 1"          | 25.4  | 88  | 50.5 | 50  | 12.7 | 117   | 329   | 395   |
| 1.5"        | 38.1  | 88  | 50.5 | 60  | 12.7 | 127   | 341   | 409.5 |
| 2"          | 50.8  | 113 | 64   | 70  | 12.7 | 146.5 | 389   | 466   |
| 2.5"        | 63.5  | 132 | 77.5 | 80  | 12.7 | 168.5 | 405   | 493.5 |
| 3"          | 76.2  | 132 | 91   | 99  | 12.7 | 204.5 | 429.5 | 535   |
| 4"          | 101.6 | 180 | 119  | 114 | 15.8 | 260.5 | 517   | 663.5 |

注意：以上数据图相关尺寸不作为实物最终依据，东正保留对于数据更新权限不再另行通知。  
Note: The relevant dimensions of the above data diagrams are not regarded as the final basis of the actual object. Dongzheng reserves the right to update the data without further notice.

# 迷你型换向阀 Mini-type divert seat valve

## HX-BM type

薄膜式截止换向阀承受更高压力 ≤30bar, 更短高度、不锈钢材质

Film-type single seat valve can bear pressure ≤30bar, Shorter height, stainless steel



### 产品应用

该阀门特别适合用于灌装机设备上, 可以替代传统型的转阀。

### Applications

The valve is particularly suitable for filling machine, can replace the traditional rotary valve.

### 技术特点 Technical Features

- 密封一体式设计
- 可满足高频率启、闭
- 无死角设计, 符合3A-85-00要求
- 密封符合FDA177.2600
- 连接标准、卡箍、焊接、螺纹、DIN、SMS、ISO
- 迷你型换向阀
- Seal-in-one piece design
- Meet high-frequency on/off
- No dead angle designed to meet the requirements of 3A-85-00
- Seal FDA 177.2600
- Connection standard, clamp, weld, thread, DIN, SMS, ISO
- Mini-type divert seat valve



注意: 以上数据图相关尺寸不作为实物最终依据, 东正保留对于数据更新权限不再另行通知。  
Note: The relevant dimensions of the above data diagrams are not regarded as the final basis of the actual object. Dongzheng reserves the right to update the data without further notice.

## HX-ZH type 多通道截止换向阀 Multi-port single seat valve

多通道阀它具有多功能的组合应用, 也可以在工艺管路上添加介质、对主阀CIP清洗和SIP杀菌, 最低点液体自排空等功能应用。

Multi-port valve has a multi-functional combination application, can also be added to the process pipeline, the main valve CIP cleaning and SIP sterilization, the lowest point liquid self-emptying and other functional applications.

### 技术参数 Technical parameters

主阀: 2"-4", DN50-DN100  
支阀: 1/2"-1.5", DN10-DN40  
材质: SS304/316L  
温度: -20°C到150°C  
压力: 真空-10bar  
Main valve: 2"-4", DN50-DN100  
Branch valve: 1/2"-1.5", DN10-DN40  
Material: SS304/316L  
Temperature: -20° C to 150° C  
Pressure: vacuum - 10 bar

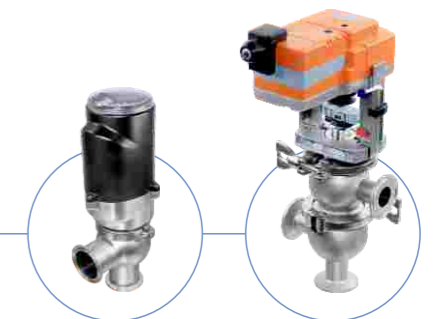
支阀Support valve

主阀Main valve



## HX-D type 电动截止换向阀 Electric single seat valve

AC20V/110V, DC24V  
开关型: 有源、无源信号  
调节型: 4-20mA  
Switch type: active, passive signal  
Regulation type: 4-20mA




# 截止换向阀 Mixproof butterfly valve

**缓冲阻尼**  
Cushion damping

缓冲阻尼防止启闭震动、颗粒被剪切  
Buffer damping prevents opening and closing vibrations and particles from being sheared

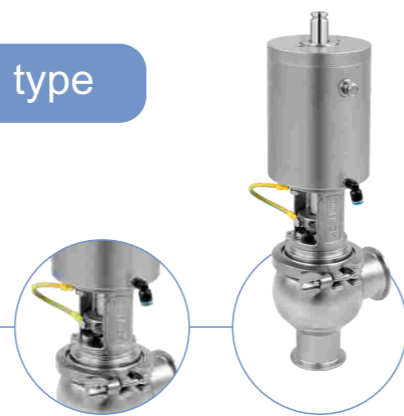
**HX-ZN type**



**防静电装置**  
Anti-static device

解决因运动部件绝缘而可能出现的静电而设计防静电装置  
Anti-static devices are designed to address static electricity that may occur due to the insulation of moving parts


**HX-FJD type**



**阀位流量可调**  
Flow position adjustable valve

扳手调整调节器，就可以控制流量的大小  
Adjust the regulator with a wrench to control the flow rate


**HX-FT type**



**夹套保温**  
Jacket insulation

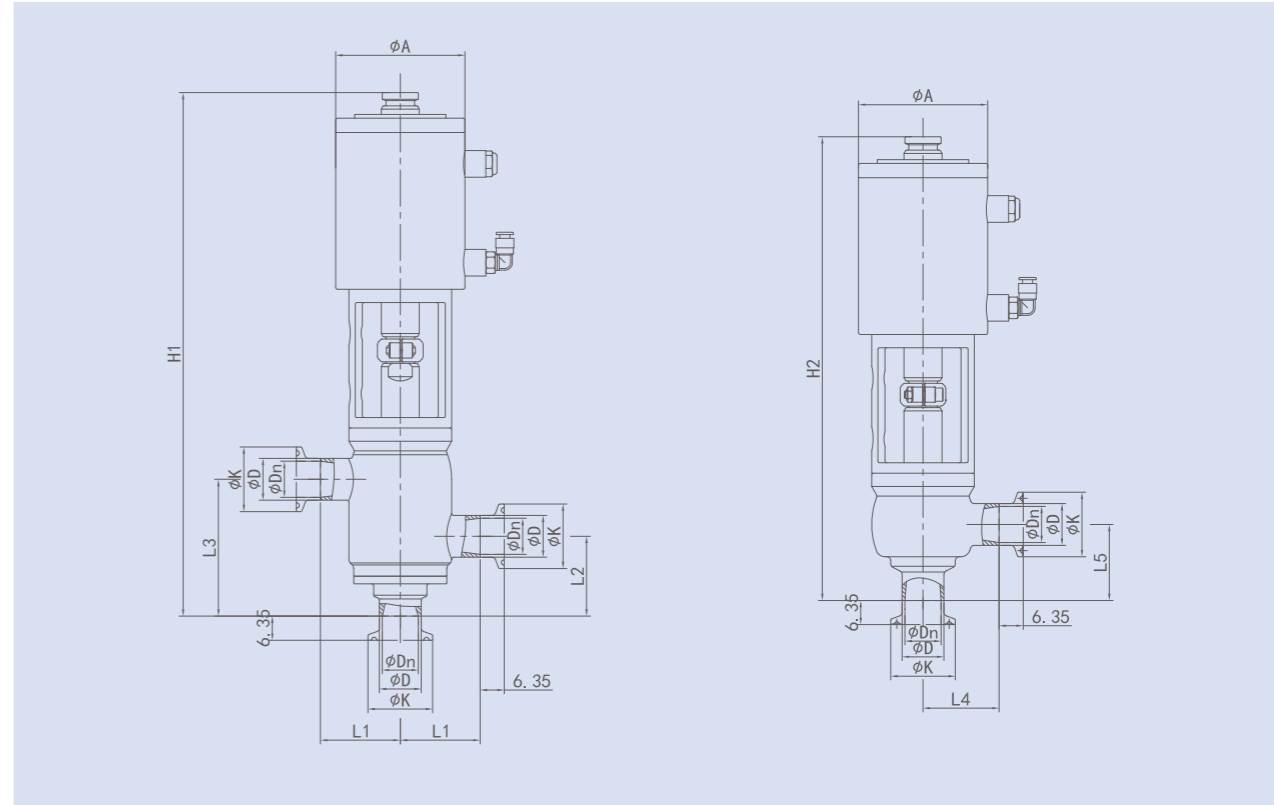
夹套保温主要是为了保持进过阀体介质保持所需温度。  
In order to maintain the required temperature of the medium passing through the valve body.

**HX-BW type**



注意：以上数据图相关尺寸不作为实物最终依据，东正保留对于数据更新权限不再另行通知。  
Note: The relevant dimensions of the above data diagrams are not regarded as the final basis of the actual object. Dongzheng reserves the right to update the data without further notice.

2018款迷你换向阀外形尺寸图 Mini-type divert seat valve



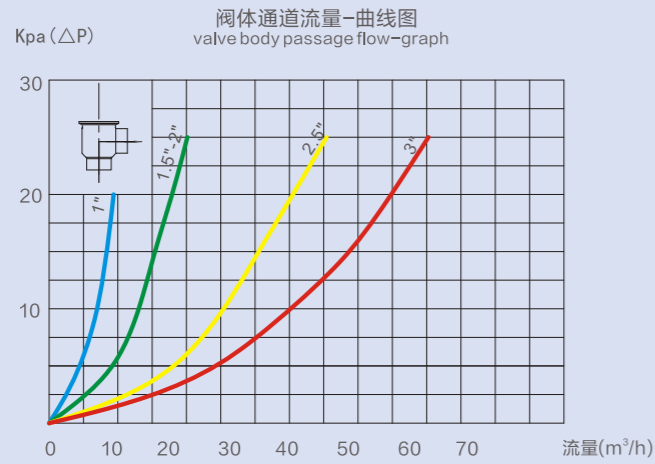
| 规格<br>Model | 20型数据表 |     |    |    |      |     |    |
|-------------|--------|-----|----|----|------|-----|----|
|             | D      | Dn  | K  | L4 | L5   | H2  | A  |
| 0.5"        | 12.7   | 9.4 | 25 | 38 | 37.8 | 242 | 68 |
| 0.75"       | 19     | 16  | 25 | 40 | 40   | 244 | 68 |
| DN10        | 12     | 9   | 34 | 38 | 37.8 | 242 | 68 |
| DN15        | 18     | 15  | 34 | 40 | 40   | 244 | 68 |
| DN20        | 22     | 19  | 34 | 40 | 40   | 244 | 68 |

| 规格<br>Model | 21型数据表 |     |    |    |      |      |       |    |
|-------------|--------|-----|----|----|------|------|-------|----|
|             | D      | Dn  | K  | L1 | L2   | L3   | H1    | A  |
| 0.5"        | 12.7   | 9.4 | 25 | 42 | 38.8 | 68.8 | 275.5 | 68 |
| 0.75"       | 19     | 16  | 25 | 42 | 42   | 72   | 275.5 | 68 |
| DN10        | 12     | 9   | 34 | 42 | 38.8 | 68.8 | 275.5 | 68 |
| DN15        | 18     | 15  | 34 | 42 | 42   | 72   | 275.5 | 68 |
| DN20        | 22     | 19  | 34 | 42 | 42   | 72   | 275.5 | 68 |

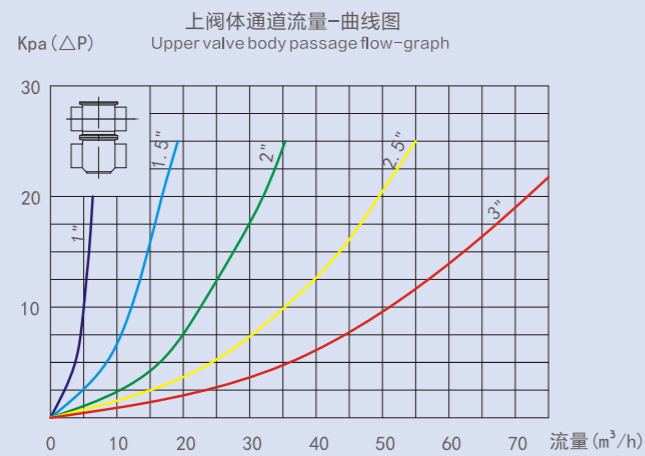
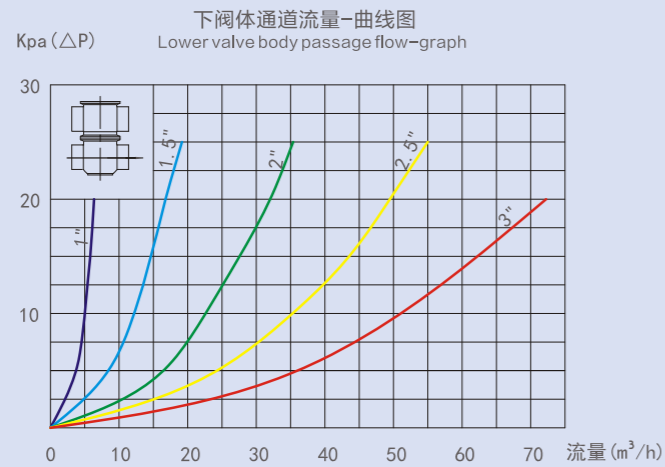
注意：以上数据图相关尺寸不作为实物最终依据，东正保留对于数据更新权限不再另行通知。  
Note: The relevant dimensions of the above data diagrams are not regarded as the final basis of the actual object. Dongzheng reserves the right to update the data without further notice.

隔膜换向阀压差综合曲线图  
divert seat valve comprehensive graph

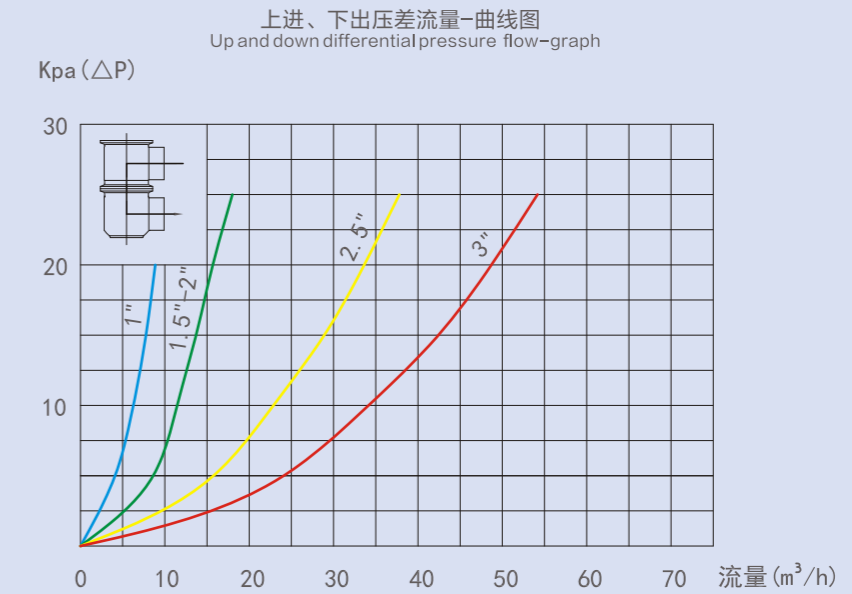
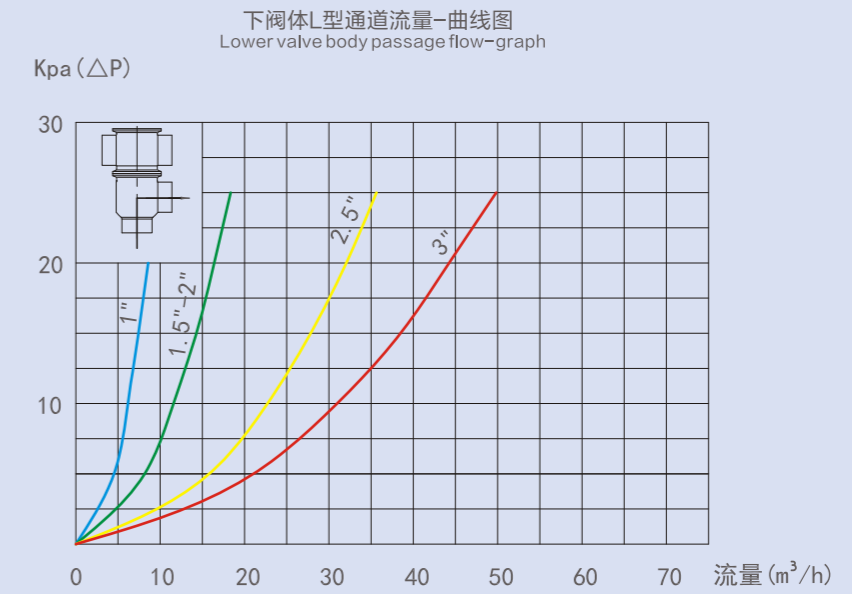
2021款隔膜式换向阀压差-流量图 (20型)



2021款隔膜式换向阀压差-流量图 (21型)



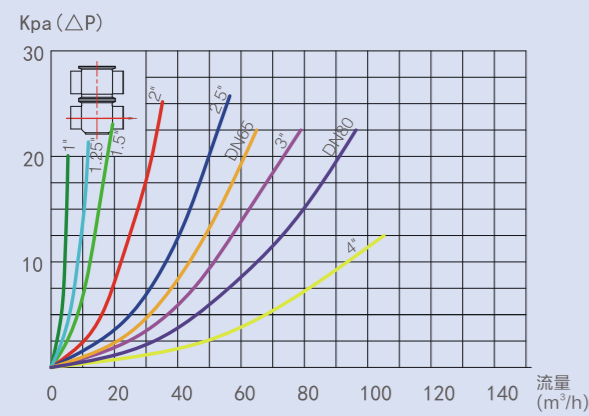
2021款隔膜式换向阀压差-流量图 (21型)



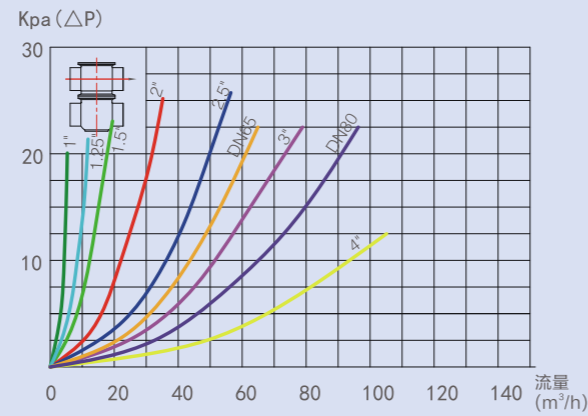
# 换向阀压差-流量图 Divert seat valve - Flow FIG

换向阀压差-流量图  
Divert seat valve - Flow FIG

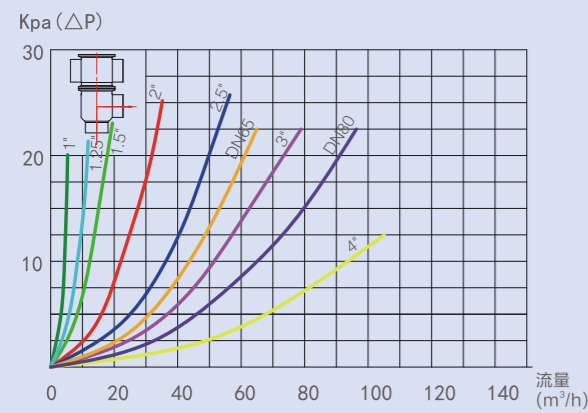
下阀体通道流量-曲线图  
Lower valve body passage flow-graph



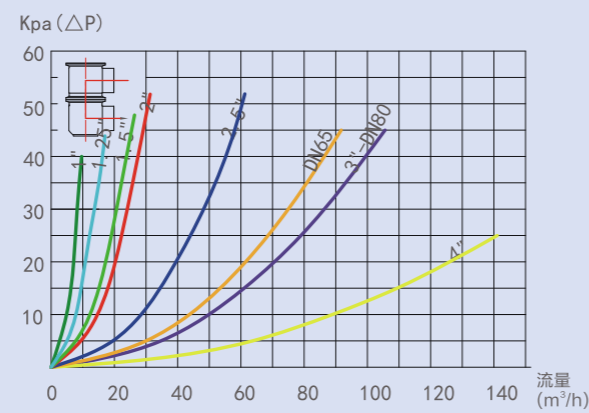
上阀体通道流量-曲线图  
Upper valve body passage flow-graph



下阀体L型通道流量-曲线图  
Lower valve body passage flow-graph

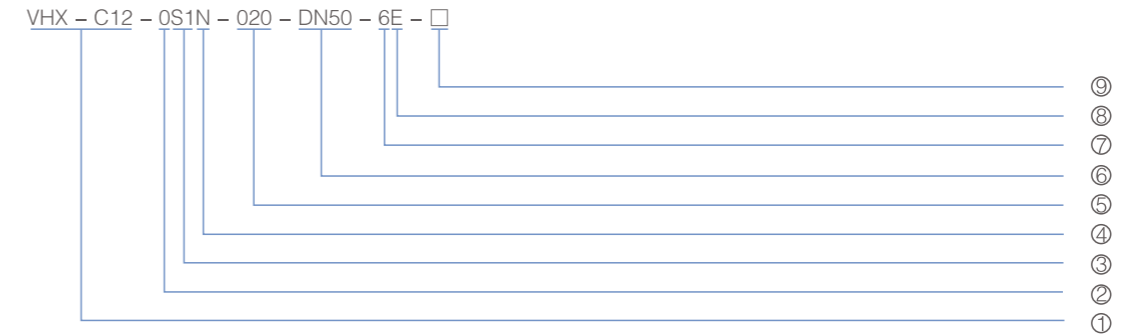


上进、下出压差流量-曲线图  
Up and down differential flow-graph



说明: 测试条件基于介质水、水温20°C, 测量符合VDI2173  
Description: based on test conditions, the water medium, Water temperature 20°C, measured in accordance with VDI2173

## 换向阀货号编制规则



### ① 阀门类型代码

VHX-C12: 球形换向阀-2012款; VHX-C17: 球形换向阀-2017款  
VHX-FT: 阀位可调节-换向阀; VHX-GM: 隔膜式-换向阀  
VHX-SJ: 杀菌式-换向阀; VHX-ZN: 双阴止式-换向阀  
VHX-BM: 薄膜式-换向阀; VHX-Mini: 迷你型换向阀

### ② 阀门连接方式

0-焊接式; 1-卡箍式; 3-外螺纹式; 5-由任螺母式

### ③ 表示执行机构

S1-手动; Q1-不锈钢气动执行器; D1-电动执行器

### ④ 表示切断气源时阀门状态

C-常闭; O-常开; D-气/气双作用 (仅适用于气动)  
N-不区分常开常闭 (仅用于手动、电动)

### ⑤ 阀体结构组合代码

020-20型组合阀体; 021-21型组合阀体; 112-112型组合阀体; 030-30型组合阀体; 022-22型组合阀体; 212-212型组合阀体;  
011-11型组合阀体; 031-31型组合阀体; 121-121型组合阀体; 012-12型组合阀体; 032-32型组合阀体; 221-221型组合阀体;  
21A-21A型组合阀体; 111-111型组合阀体; 122-122型组合阀体; 22A-22A型组合阀体; 211-211型组合阀体; 222-222型组合阀体;

### ⑥ 表示阀门规格

| INCH系列 (不标准) | DIN系列 | ISO系列     | 3A系列      | SMS系列  | RJT系列     |
|--------------|-------|-----------|-----------|--------|-----------|
| OD 1/2"      | DN15  | ISO1/2"   | 3A 1/2"   | SMS25  | RJT1/2"   |
| OD 3/4"      | DN20  | ISO3/4"   | 3A 3/4"   | SMS32  | RJT3/4"   |
| OD 1"        | DN25  | ISO1"     | 3A 1"     | SMS38  | RJT1"     |
| OD 1 1/4"    | DN32  | ISO1 1/4" |           | SMS51  | RJT1 1/4" |
| OD 1 1/2"    | DN40  | ISO1 1/2" | 3A 1 1/2" | SMS63  | RJT1 1/2" |
| OD 2"        | DN50  | ISO2"     | 3A 2"     | SMS76  | RJT2"     |
| OD 2 1/2"    | DN65  | ISO2 1/2" | 3A 2 1/2" | SMS89  | RJT2 1/2" |
| OD 3"        | DN80  | ISO3"     | 3A 3"     | SMS102 | RJT3"     |
| OD 3 1/2"    | DN100 | ISO3 1/2" |           |        | RJT3 1/2" |
| OD 4"        | DN125 | ISO4"     | 3A 4"     |        | RJT4"     |

### ⑦ 表示阀体材质 (与介质接触部分)

6-AISI 316L; 4-AISI 304

### ⑧ 表示附件信息 (此位码不作字符限制)

空-不带附件; C1-带传感器1只; C2带传感器2只;  
FTOP1553-带反馈器、控制器、定位器类 (直接以控制器代码表示)  
CTOP1721-带反馈器、控制器、定位器类 (直接以控制器代码表示)

### ⑨ 表示密封材质 (与介质接触部分)

E-EPDM; F-FPM; P-PTFE